

FRESA (G024)

PARTS CATALOG

First Edition March 1999

RICOH COMPANY,LTD

PARTS CATALOG

INTRODUCTION

This chapter instructs you the numbers and names of parts on this machine.

INDEX to PARTS CATALOG

**Fresa
Paper Feed Type 305**

**(G024)
(G908)**

FRESA (G024)

PARTS CATALOG

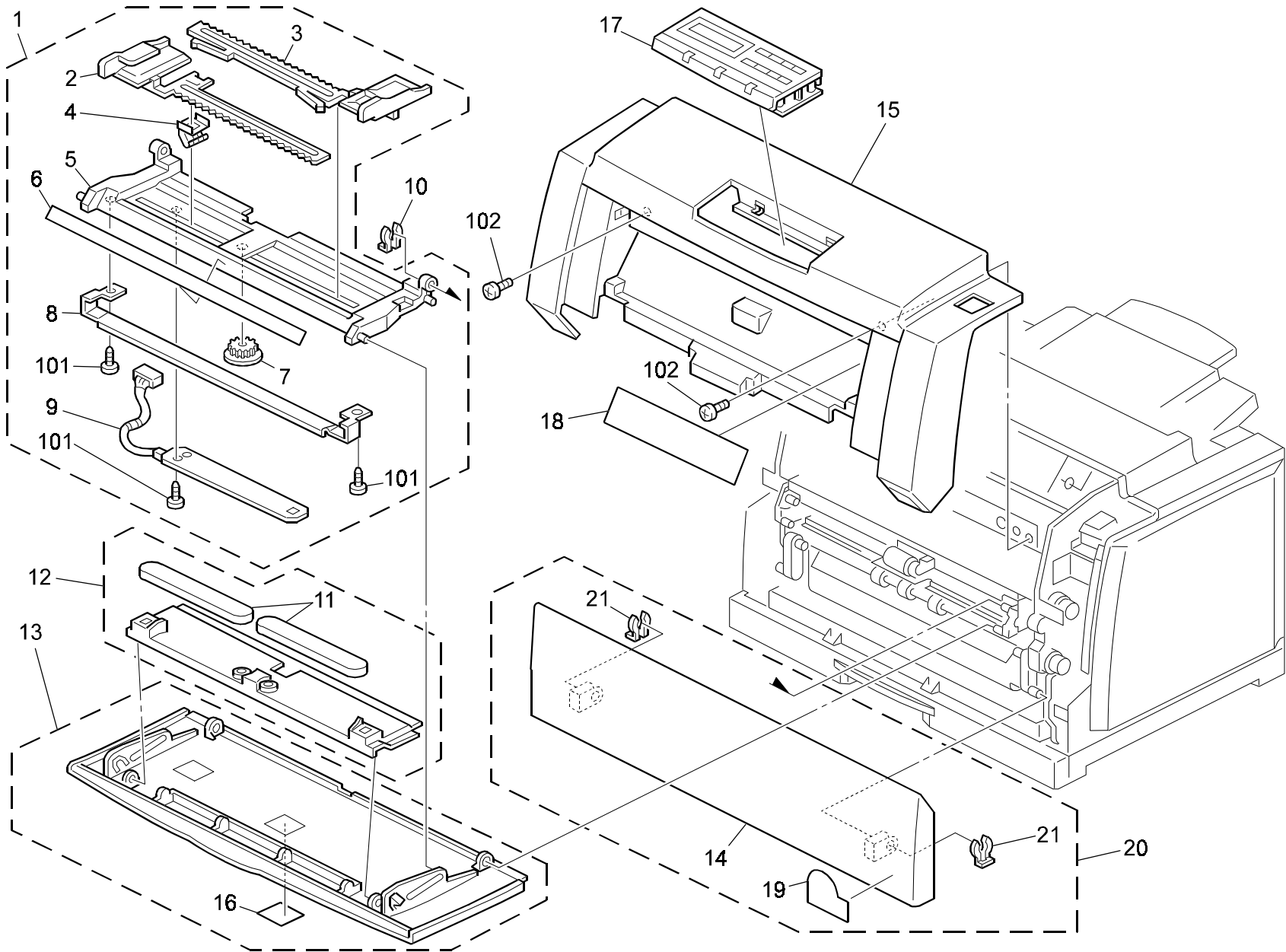
INTRODUCTION

This chapter instructs you the numbers and names of parts on this machine.

INDEX to PARTS CATALOG

1.EXTERIOR 1 (G024)	2	20.FRAME SECTION 1 (G024)	40
2.EXTERIOR 2 (G024)	4	21.FRAME SECTION 2 (G024)	42
3.PAPER TRANSPORT SECTION 1 (G024)	6	22.FRAME SECTION 3 (G024)	44
4.PAPER TRANSPORT SECTION 2 (G024)	8	23.FRAME SECTION 4 (G024)	46
5.PAPER TRANSPORT SECTION 3 (G024)	10	24.MAIN CONTROL BOARD (G024)	48
6.PAPER CASSETTE (G024)	12	25.PRINTER CONTROL BOARD (G024)	58
7.BY-PASS FEED UNIT (G024)	14	26.DECAL AND DOCUMENT (G024)	62
8.PAPER FEED SECTION (G024)	16	27.SPECIAL TOOLS (G024)	64
9.OPTICAL UNIT (G024)	18	PARTS INDEX	67
10.FUSING UNIT 1 (G024)	20		
11.FUSING UNIT 2 (G024)	22		
12.FUSING UNIT 3 (G024)	24		
13.FUSING UNIT 4 (G024)	26		
14.DRIVE SECTION 1 (G024)	28		
15.DRIVE SECTION 2 (G024)	30		
16.DRIVE SECTION 3 (G024)	32		
17.ELECTRICAL SECTION 1 (G024)	34		
18.ELECTRICAL SECTION 2 (G024)	36		
19.ELECTRICAL SECTION 3 (G024)	38		

1.EXTERIOR 1 (G024)

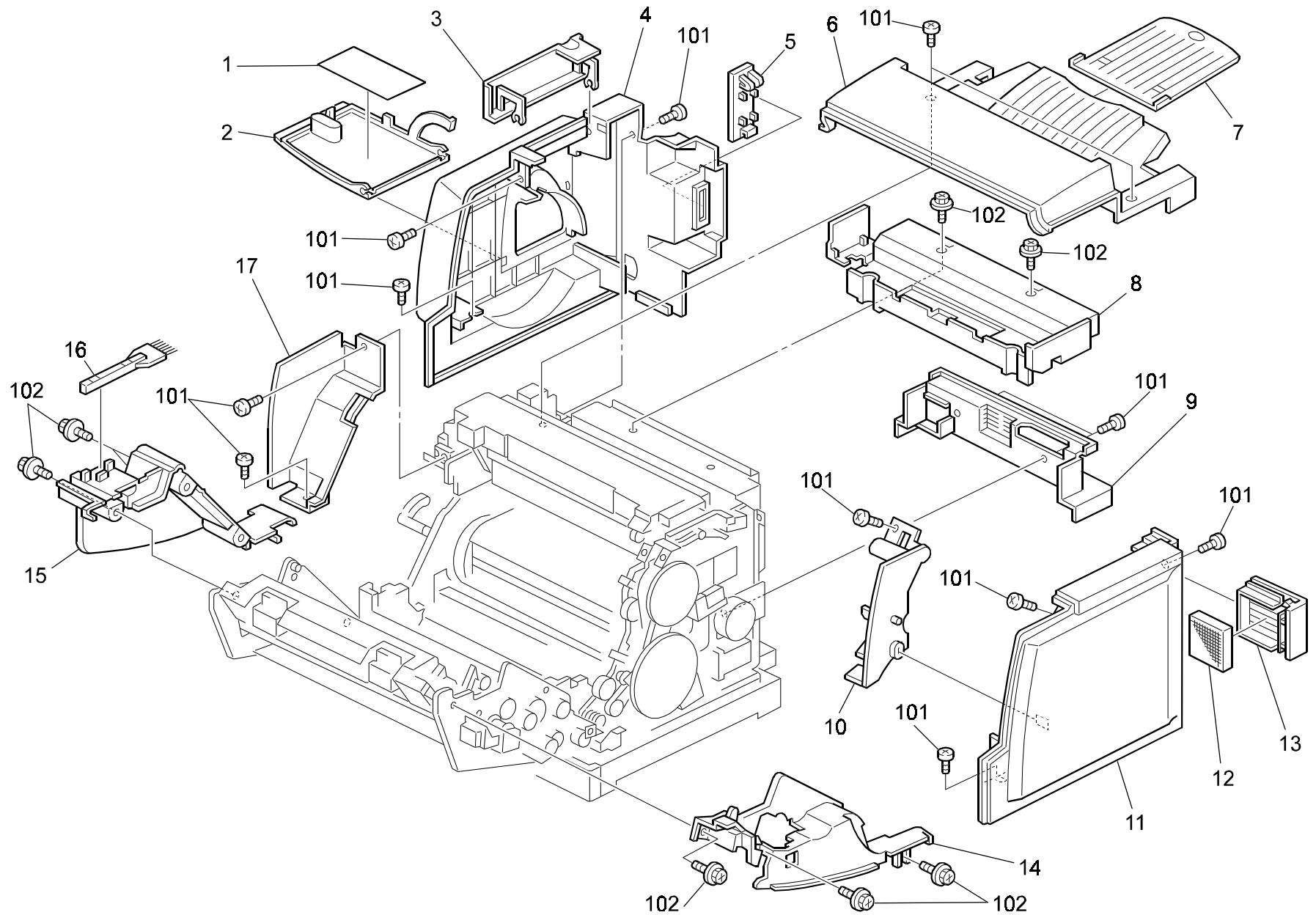


1.EXTERIOR 1 (G024)

Index No.	Part No.	Description	Q'ty Per Assembly
1	G024 3282	By-pass Feed Table Ass'y	1
2	G024 3285	Left Side Fence	1
3	G024 3286	Right Side Fence	1
4	G024 3290	Paper Size Sensor Actuator	1
5	G024 3284	By-pass Feed Table	1
6	G024 3292	Decal - Paper Size	1
7	G011 3305	Gear - 16T	1
8	G024 3291	By-pass Table Stay	1
9	G024 3288	Paper Size Sensor Board	1
10	H521 3355	C Ring - Paper Feed Roller	1
11	A190 2702	Paper Guide	2
12	G024 3296	By-pass Feed Sub Tray	1
13	G024 3295	By-pass Feed Cover	1
14	G024 3337	Front Lower Cover	1
15	G024 1550	Front Cover	1
16	A153 6423	Support Cover	1
17	G024 5613	Operation Panel Ass'y - 120V	1
17	G024 5614	Operation Panel Ass'y - 230V	1
18	G024 1548	Decal - Paper	1
19	H516 4095	Decal - Energystar	1
20	G024 3336	Front Lower Cover Ass'y (230V)	1
21	G024 3344	Spring - 4MM	2

Index No.	Part No.	Description	Q'ty Per Assembly
101	0452 3006B	Tapping Screw - M3x6	
102	0353 0060Z	Screw - M3X6	

2.EXTERIOR 2 (G024)

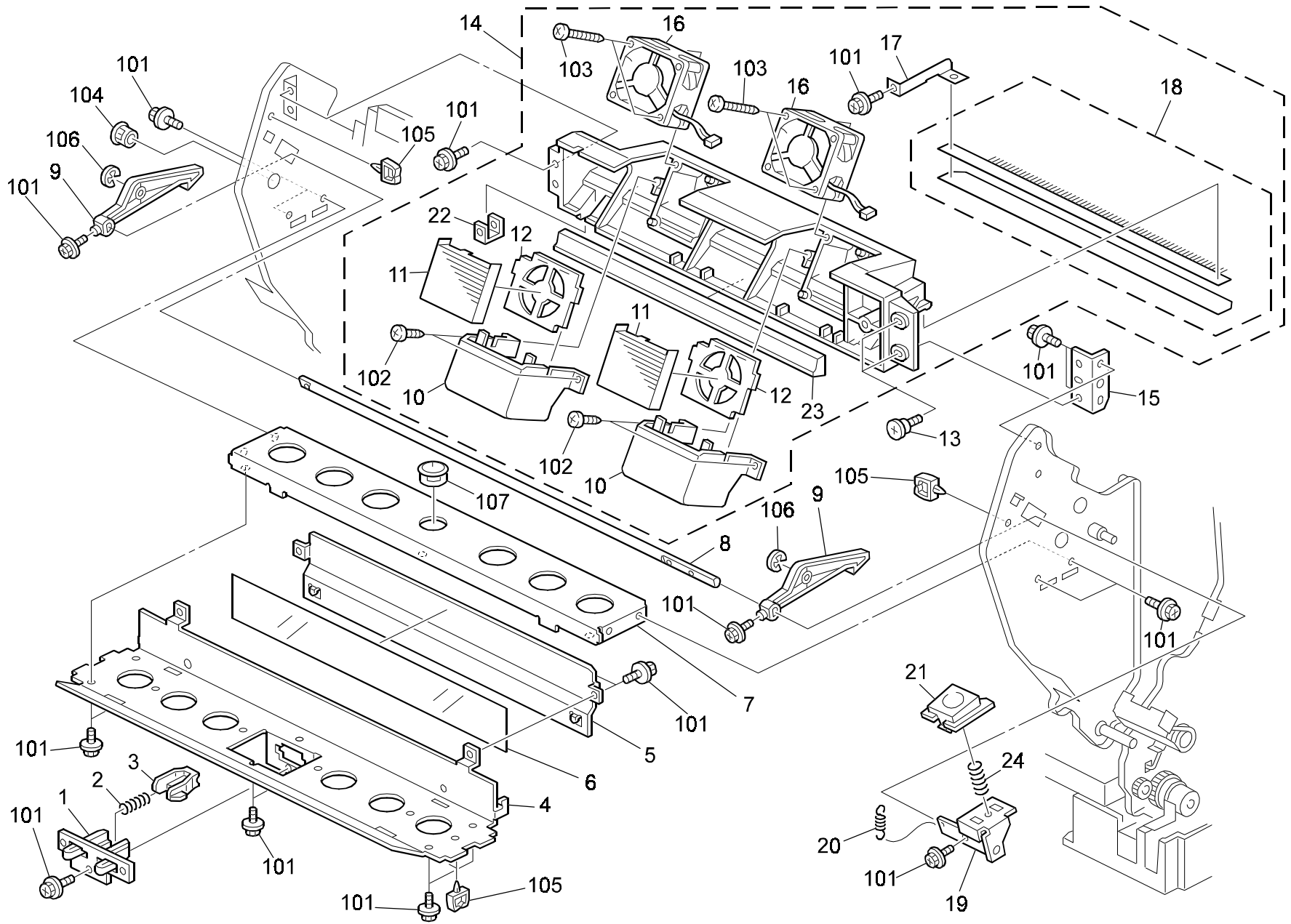


2.EXTERIOR 2 (G024)

Index No.	Part No.	Description	Q'ty Per Assembly
1	G024 1539	Decal - DTM Operation	1
2	G024 1534	DTM Cover	1
3	G024 1506	Oil Cover	1
4	G024 1524	Left Cover	1
5	G800 1523	IC Card Cover	1
6	G024 1522	Upper Cover	1
7	G024 1527	Paper Exit Tray	1
8	G024 1528	Upper Rear Cover	1
9	G024 1529	Lower Rear Cover	1
10	G024 1544	Right Inner Cover - Frame	1
11	G024 1503	Right Cover	1
12	G024 1465	Ozone Filter	1
13	G024 1510	Duct Cover	1
14	G024 1542	Right Front Inner Cover	1
15	G024 1538	Left Front Inner Cover	1
16	G024 1533	Brush	1
17	G024 1543	Left Inner Cover - Frame	1

Index No.	Part No.	Description	Q'ty Per Assembly
101	0353 0060Z	Screw - M3X6	
102	0451 3006B	Tapping Screw - M3x6	

3.PAPER TRANSPORT SECTION 1 (G024)



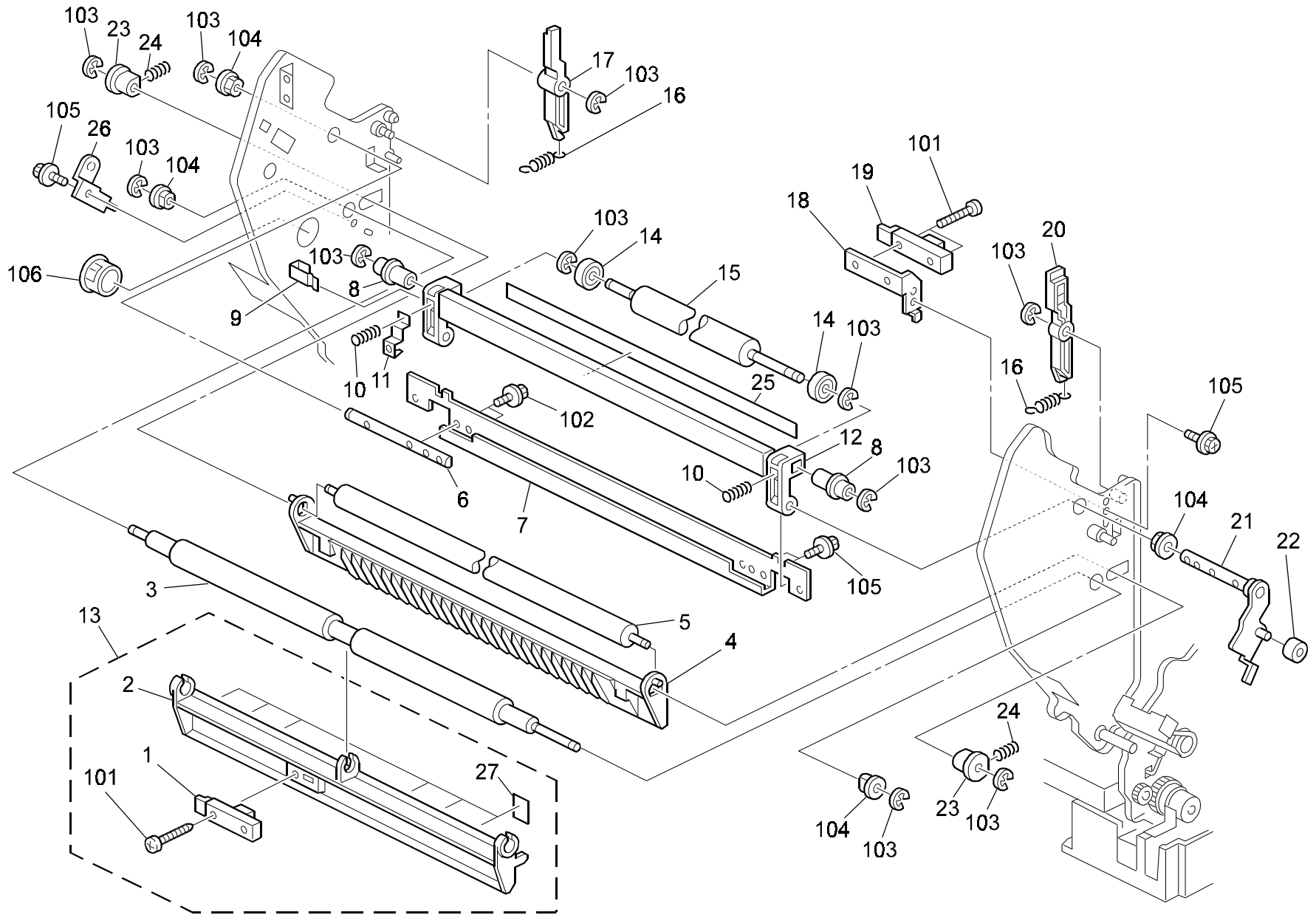
3.PAPER TRANSPORT SECTION 1 (G024)

Index No.	Part No.	Description	Q'ty Per Assembly
1	G024 3120	Registration Brake Holder	1
2	G800 3055	Completion Spring	1
3	G800 3053	Bushing	1
4	G024 3167	Upper Stay	1
5	G024 3175	Upper Guide Plate	1
6	G024 3178	Entrance Seal - Transport	1
7	G024 3169	Upper Stay 2	1
8	G024 3185	Un Lock Shaft	1
9	G024 3179	Un Lock Lever - Right	2
10	G024 3708	Rear Cover - Transport	2
11	G024 3710	Ozone Filter	2
12	G024 3709	Fan Guard	2
13	AA14 3287	Stepped Screw - M3	2
14	G024 3405	Guide Plate Ass'y	1
15	G024 3702	Guide Plate Bracket	1
16	AX64 0099	Fan Motor - DC24V 1.92W	2
17	G024 3707	Grounding Plate	1
18	G024 3705	Discharge Brush - Transfer Roller	1
19	G024 3184	Un Lock Holder	1
20	G024 3190	Tension Spring	1
21	G024 3181	Un Lock Button	1
22	G024 3703	Transfer Upper Terminal	1
23	G024 3711	Quenching Lamp Spacer	1
24	G024 3183	Button Spring	1



Index No.	Part No.	Description	Q'ty Per Assembly
101	0451 3006B	Tapping Screw - M3x6	
102	0452 3008B	Tapping Screw - M3x8	
103	0452 4030B	Tapping Bind Screw - M4x30	
104	1106 0411	Bushing - 11.5mm	
105	1105 0230	Clamp	
106	0720 0040B	Retaining Ring - M4	
107	1106 0459	Bushing - 20.2mm	

4.PAPER TRANSPORT SECTION 2 (G024)

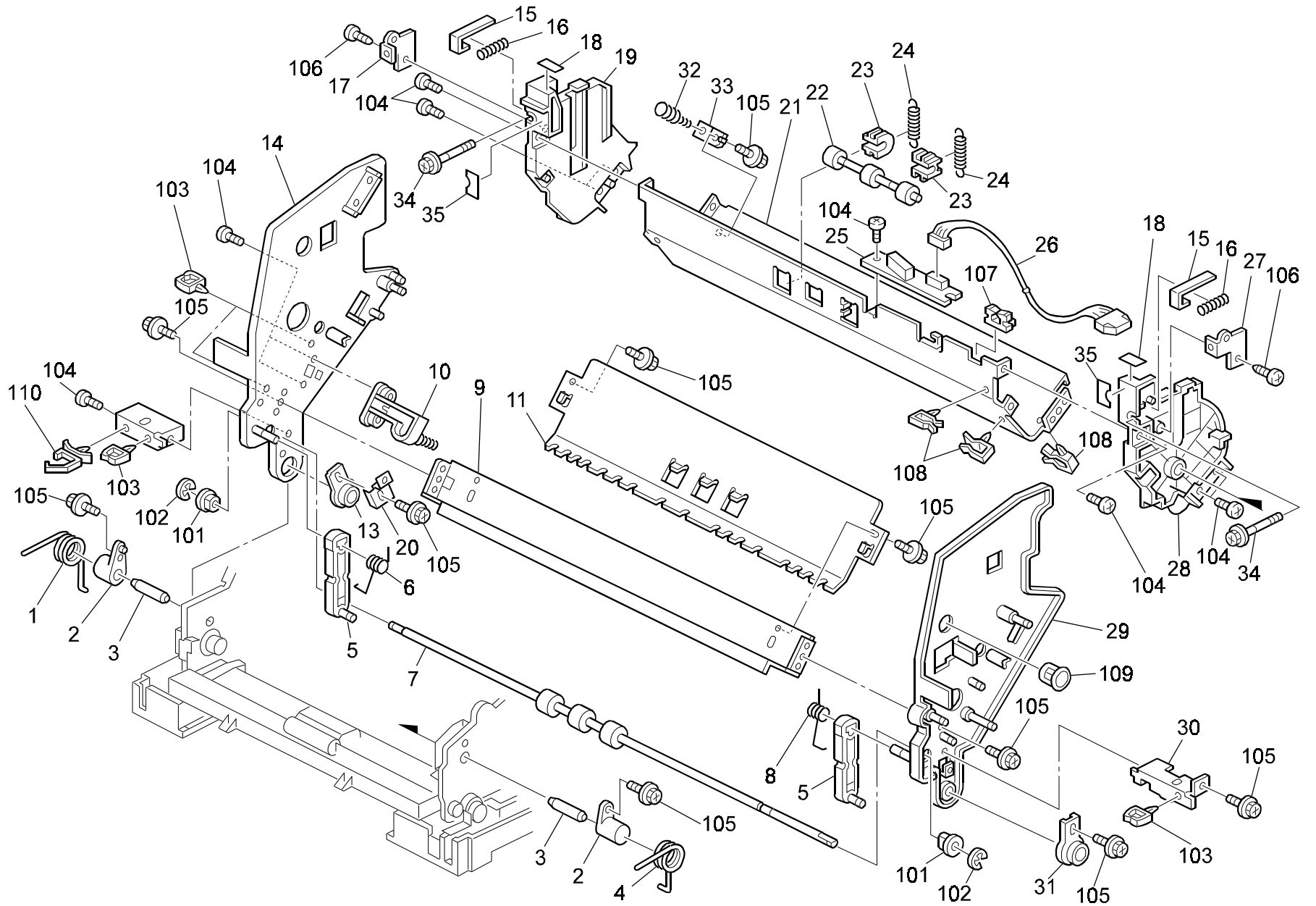


4.PAPER TRANSPORT SECTION 2 (G024)

Index No.	Part No.	Description	Q'ty Per Assembly
1	GW01 0006	Photorelector - GP2A69	1
2	G024 3111	Upper Guide Plate	1
3	G024 3107	Registration Roller	1
4	G024 3114	Lower Guide Plate	1
5	G024 3108	Registration Roller	1
6	G024 3666	Left Shaft	1
7	G024 3665	Holder Bracket - Transfer Roller	1
8	G024 3664	Bushing	2
9	G024 3673	Terminal Plate	1
10	G024 3672	Pressure Spring	2
11	G024 4308	Terminal Plate	1
12	G024 3684	Transfer Roller Holder	1
13	G024 3110	Upper Guide Plate Ass'y	1
14	G024 3663	Transport Roller Bushing	2
15	G024 3661	Transfer Roller	1
16	G024 3189	Tension Spring	2
17	G024 3186	Left Lever	1
18	G024 3731	Positioning Sensor Bracket	1
19	A166 5421	Transfer Belt Sensor	1
20	G024 3187	Right Lever	1
21	G024 3667	Transport Timing Lever	1
22	G024 3678	Timing Lever Roller	1
23	G024 3122	Bushing	2
24	G024 3116	Registration Roller Spring - Driven	2
25	G024 3688	Seal - 15x313	1
26	G024 3124	Grounding Plate	1
27	G024 3112	Shield - Registration - Guide Plate	6

Index No.	Part No.	Description	Q'ty Per Assembly
101	0450 3012B	Tapping Screw -3x12	
102	0451 3008B	Tapping Screw - M3x8	
103	0720 0040B	Retaining Ring - M4	
104	0805 3480	Bushing - 6mm	
105	0451 3006B	Tapping Screw - M3x6	
106	1106 0459	Bushing - 20.2mm	

5.PAPER TRANSPORT SECTION 3 (G024)

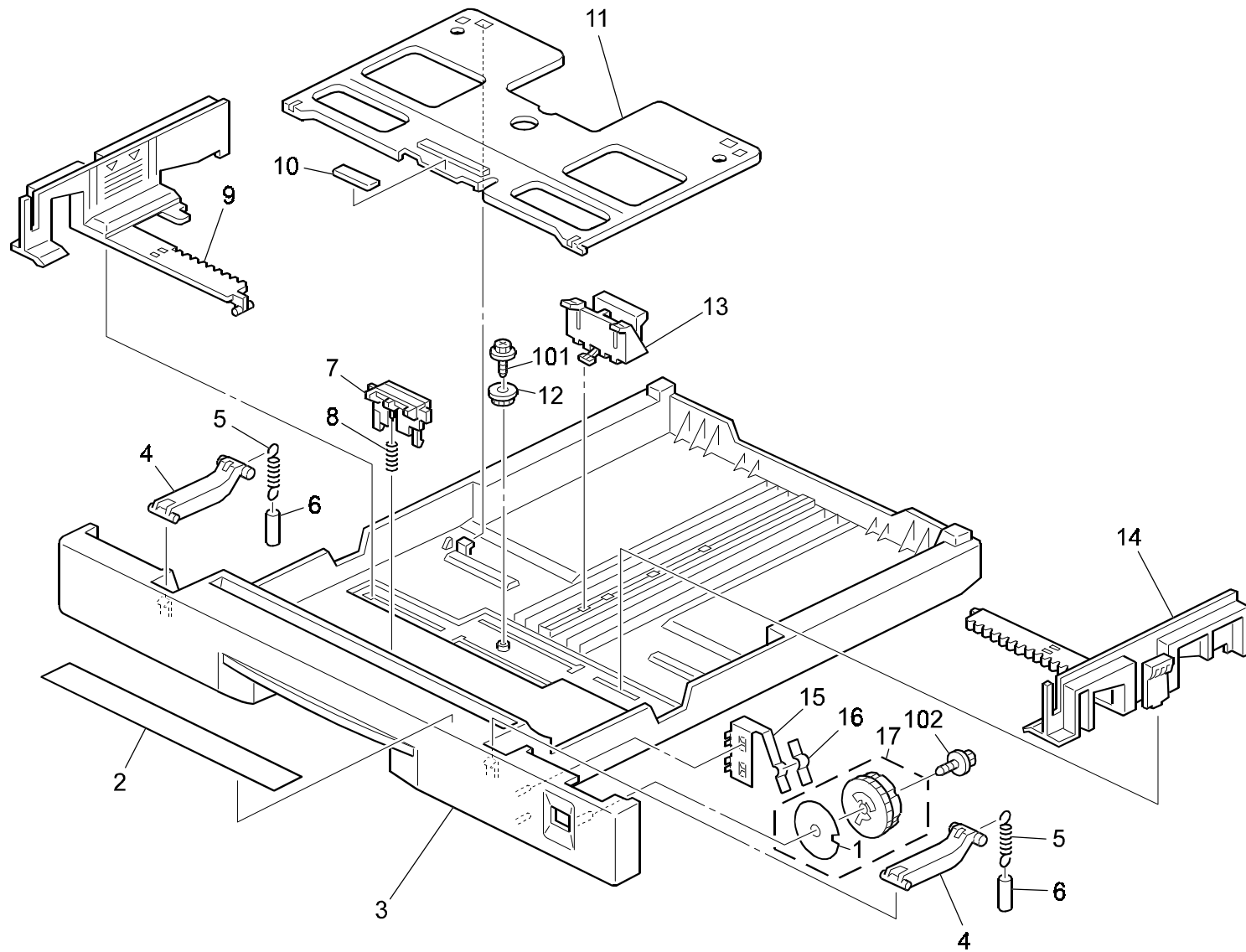


5.PAPER TRANSPORT SECTION 3 (G024)

Index No.	Part No.	Description	Q'ty Per Assembly
1	G024 1067	Torsion Spring	1
2	G024 1063	Contact Point Collar	2
3	G024 1062	Contact Point Shaft	2
4	G024 1068	Torsion Spring	1
5	G024 3338	Front Lower Cover Link	2
6	G024 3340	Torsion Spring	1
7	G024 3318	Transport Drive Roller	1
8	G024 3341	Torsion Spring	1
9	G024 3171	Lower Stay	1
10	G024 3321	Bias Terminal	1
11	G024 3172	Lower Guide Plate - Transport	1
12	G024 1064	Left Bracket - Spring Stopper	1
13	G024 3149	Left Bushing	1
14	G024 3143	Left Side Plate	1
15	G024 1684	PCU Stopper	2
16	G024 1687	Stopper Spring	2
17	G024 1685	PCU Left Bracket	1
18	G024 1688	Decal - Positioning Display	1
19	G024 1681	PCU Left Guide	2
20	G024 3716	Grounding Plate	1
21	G024 3307	Guide Plate	1
22	G024 3314	Transport Driven Roller	1
23	G024 3315	Busing	2
24	G024 3316	Tension Spring	2
25	G024 5420	Density Sensor	1
26	G024 5119	Density Sensor Harness	1
27	G024 1686	PCU Right Bracket	1
28	G024 1682	PCU Right Guide	1
29	G024 3153	Right Side Plate	1
30	G024 1066	Right Bracket - Spring Stopper	1
31	G024 3163	Right Bushing	1
32	G024 1622	Spring	1
33	G024 1621	Grounding Plate	1
34	G024 1689	Hexagonal Bolt - M3x19	2
35	G024 1690	Decal - Screw	2

Index No.	Part No.	Description	Q'ty Per Assembly
101	0805 3480	Bushing - 6mm	
102	0720 0040B	Retaining Ring - M4	
103	1105 0230	Clamp	
104	0452 3006B	Tapping Screw - M3x6	
105	0451 3006B	Tapping Screw - M3x6	
106	0353 0060B	Philips Pan Head Screw - M3x6	
107	1105 0322	Cord Bushing	
108	1105 0267	Harness Clamp - YMC-10-0	
109	1106 0411	Bushing - 11.5mm	
110	1105 0291	Harness Clamp - LWS-3S	

6.PAPER CASSETTE (G024)

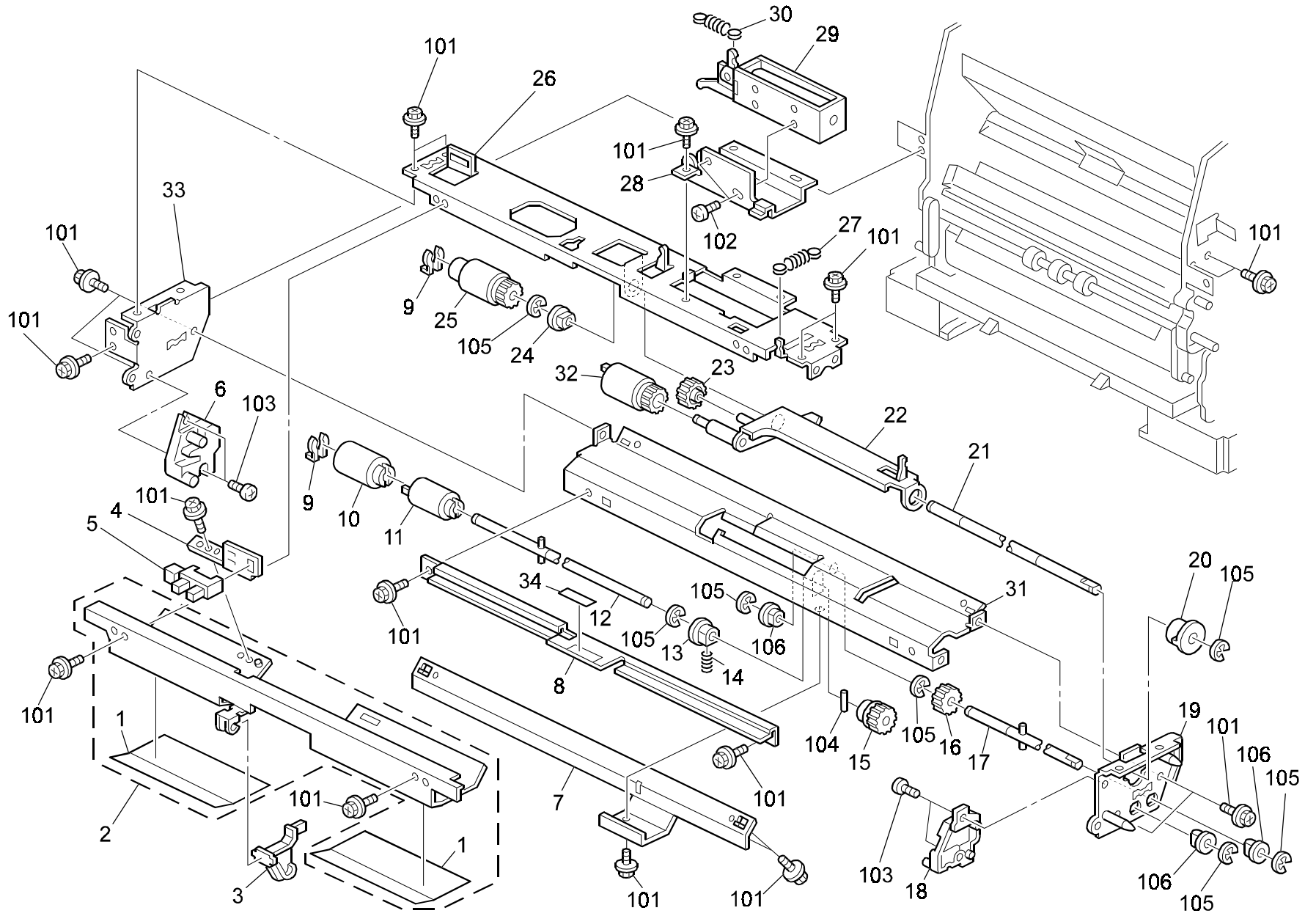


6.PAPER CASSETTE (G024)

Index No.	Part No.	Description	Q'ty Per Assembly
1	G908 3186	Decal - Paper Size Dial	1
2	G024 3059	Decal - Paper Set	1
3	G024 3055	Cassette	1
4	G800 3129	Cassette Arm	2
5	G024 3075	Tension Spring	2
6	G024 3077	Spring Tube	2
7	G800 3140	Friction Pad	1
8	G024 3078	Pressure Spring	1
9	G024 3062	Left Side Fence	1
10	G800 3149	Base Pad	1
11	G024 3068	Base Plate	1
12	G800 3133	Side Fence Gear	1
13	G024 3064	End Fence	1
14	G024 3060	Right Side Fence	1
15	G024 3085	Spring Plate	1
16	G024 3084	Spring Plate Seal	1
17	G908 3184	Paper Size Dial Ass'y	1

Index No.	Part No.	Description	Q'ty Per Assembly
101	0450 3006B	Tapping Screw - M3x6	
102	0452 3006B	Tapping Screw - M3x6	

7.BY-PASS FEED UNIT (G024)

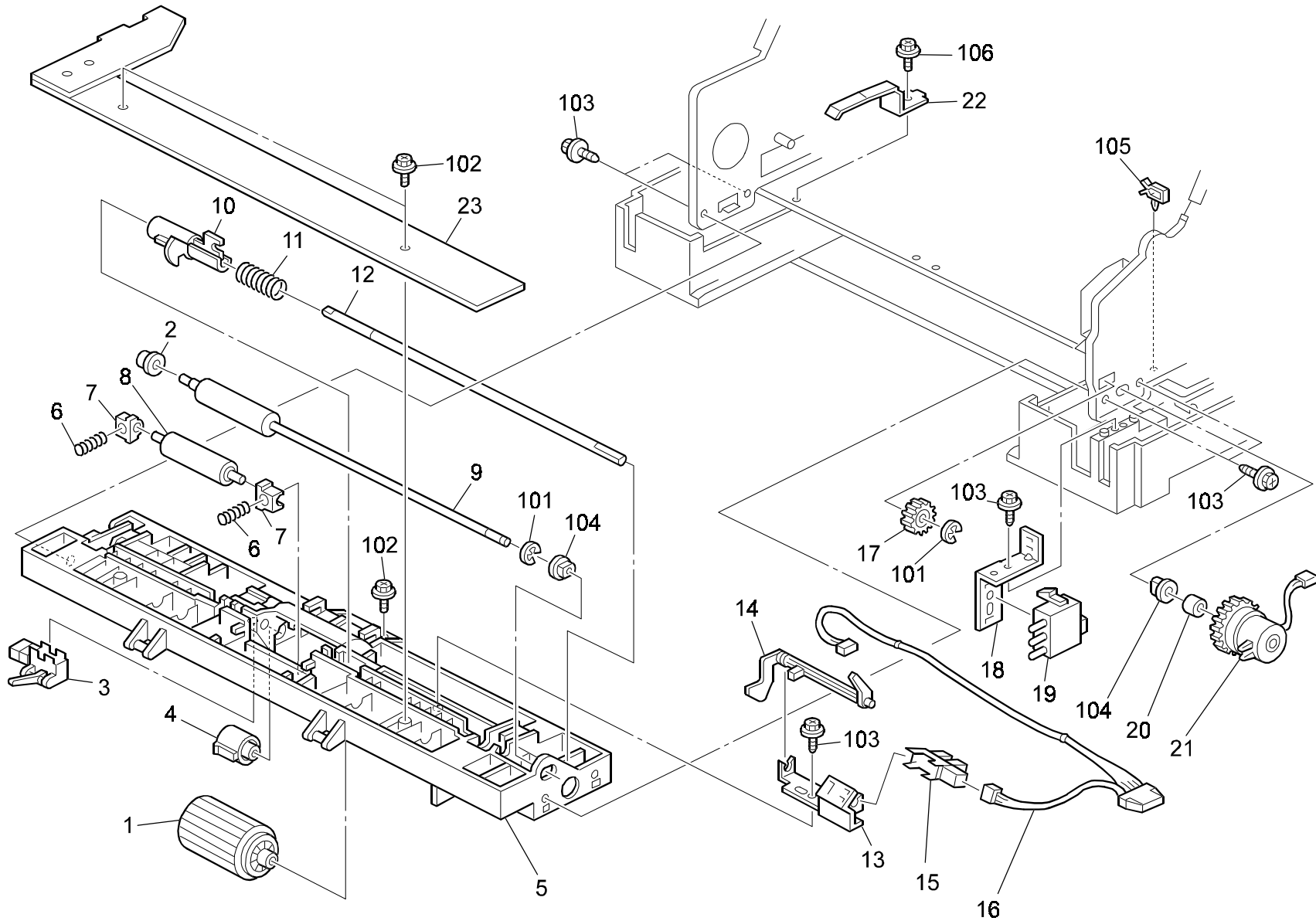


7.BY-PASS FEED UNIT (G024)

Index No.	Part No.	Description	Q'ty Per Assembly
1	G024 3226	Guide Seal	2
2	G024 3224	Upper By-pass Feed Guide	1
3	G024 3351	Paper End Feeler	1
4	G024 3354	Sensor Bracket	1
5	AW02 0056	Photointerruptor - EE-SX4235A-P1	1
6	G024 3208	Left Holder - By-pass Feed	1
7	G024 3231	Support Guide Plate	1
8	G024 3221	Lower Stay	1
9	H521 3355	C Ring - Paper Feed Roller	2
10	AF03 2025	Separation Roller	1
11	A134 2674	Torque Limiter - 400fg	1
12	G024 3266	Separation Driven Shaft	1
13	AA08 0037	Bushing - 6mm	1
14	AA06 3499	Pressure Spring	1
15	AB01 1344	Gear - 16Z	1
16	AB01 1345	Gear - 20Z	1
17	G024 3262	Separation Drive Shaft	1
18	G024 3217	Right Holder - By-pass Feed	1
19	G024 3212	Right Side Plate	1
20	AA08 3010	Clutch Roller - 6x14x10	1
21	G024 3258	Feed Shaft	1
22	G024 3232	Pick-up Arm	1
23	AB01 1343	Idle Gear - 23Z	1
24	H060 2126	Bushing - M6x7	1
25	AF03 1025	Feed Roller	1
26	G024 3219	Upper Stay	1
27	G024 3274	Tension Spring	1
28	G024 3244	Solenoid Bracket	1
29	G024 3240	By-pass Feed Solenoid - DC24V	1
30	G024 3272	Tension Spring	1
31	G024 3227	Lower By-pass Feed Guide	1
32	AF03 0036	Pick-up Roller	1
33	G024 3206	Left Side Plate	1
34	5447 2927	Friction Pad - B	1

Index No.	Part No.	Description	Q'ty Per Assembly
101	0451 3006B	Tapping Screw - M3x6	
102	0313 0040B	Philips Pan Head Screw - M3x4	
103	0453 3006B	Tapping Screw - M3x6	
104	0622 0100E	Spring Pin - 2x10mm	
105	0720 0040B	Retaining Ring - M4	
106	0805 3480	Bushing - 6mm	

8.PAPER FEED SECTION (G024)

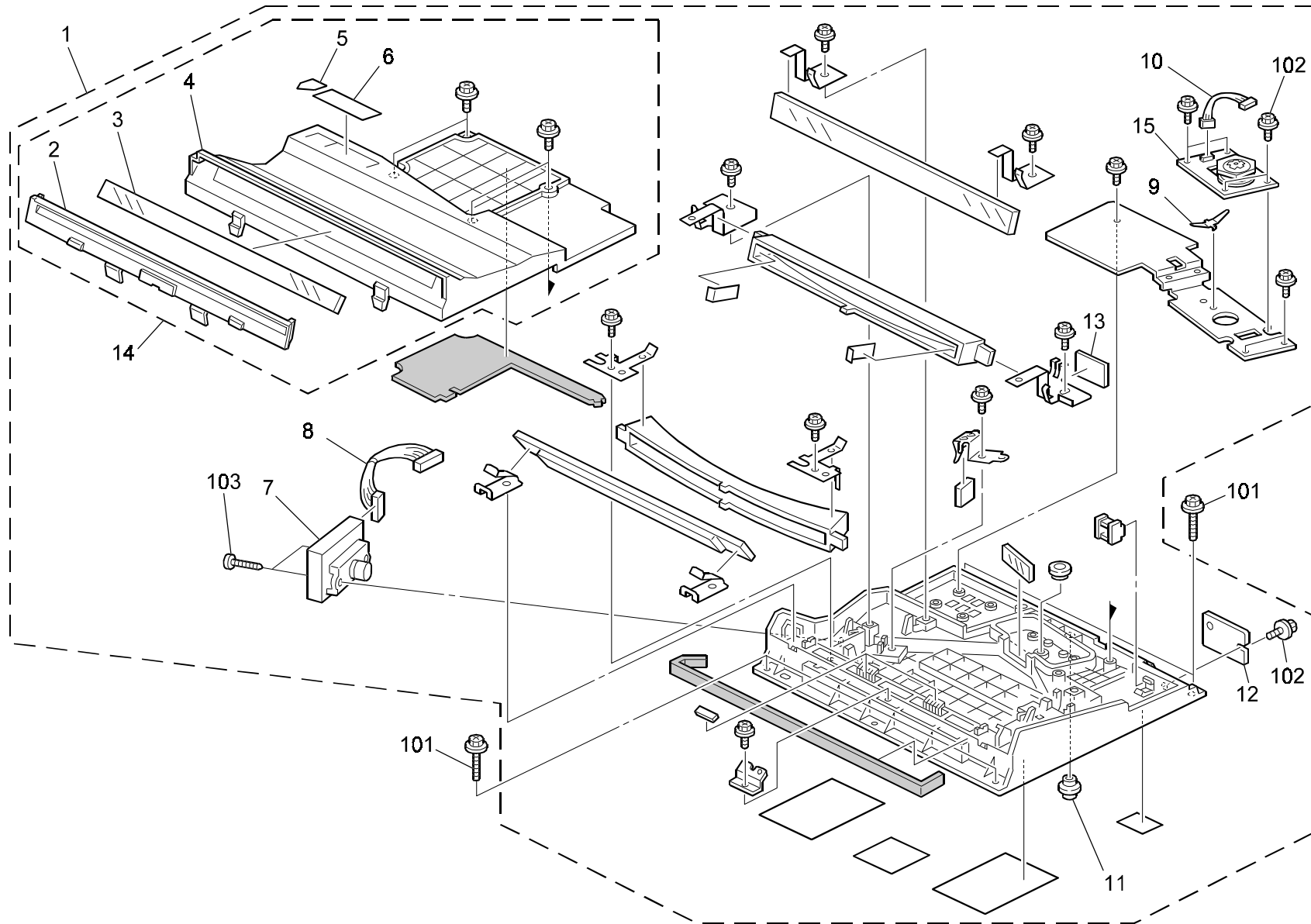


8.PAPER FEED SECTION (G024)

Index No.	Part No.	Description	Q'ty Per Assembly
1	G800 3011	Paper Feed Roller	1
2	5443 2668	Bushing - 4x6x7mm	1
3	AW02 0110	Photointerruptor	1
4	G800 3017	Bushing	1
5	G024 3331	Paper Feed Guide	1
6	G024 3335	Compression Spring	2
7	G800 3333	Bushing - M4	2
8	G800 3332	Driven Roller	1
9	G024 3334	Middle Drive Roller	1
10	G800 3015	Bushing	1
11	G800 3021	Completion Spring	1
12	G024 3010	Paper Feed Roller Shaft	1
13	G024 1022	Paper Feed Sensor Bracket	1
14	G024 3022	Paper End Feeler	1
15	AW02 0056	Photointerruptor - EE-SX4235A-P1	1
16	G024 5128	Paper End Sensor Harness	1
17	G024 1893	Gear - 19Z	1
18	G024 3339	Switch Bracket	1
19	G800 3035	Push SW - Paper Size	1
20	A109 6425	Brush Roller Spacer	1
21	G024 5457	Paper Feed Clutch - 25NCM	1
22	G024 3015	Grounding Plate	1
23	G024 3360	Supporting Plate - Paper Guide Ass'y	1

Index No.	Part No.	Description	Q'ty Per Assembly
101	0720 0040B	Retaining Ring - M4	
102	0450 3008B	Tapping Screw - M3x8	
103	0450 4008B	Tapping Screw - 4x8	
104	0805 3480	Bushing - 6mm	
105	1105 0283	Clamp	
106	0451 4006B	Tapping Screw - 4x6	

9.OPTICAL UNIT (G024)

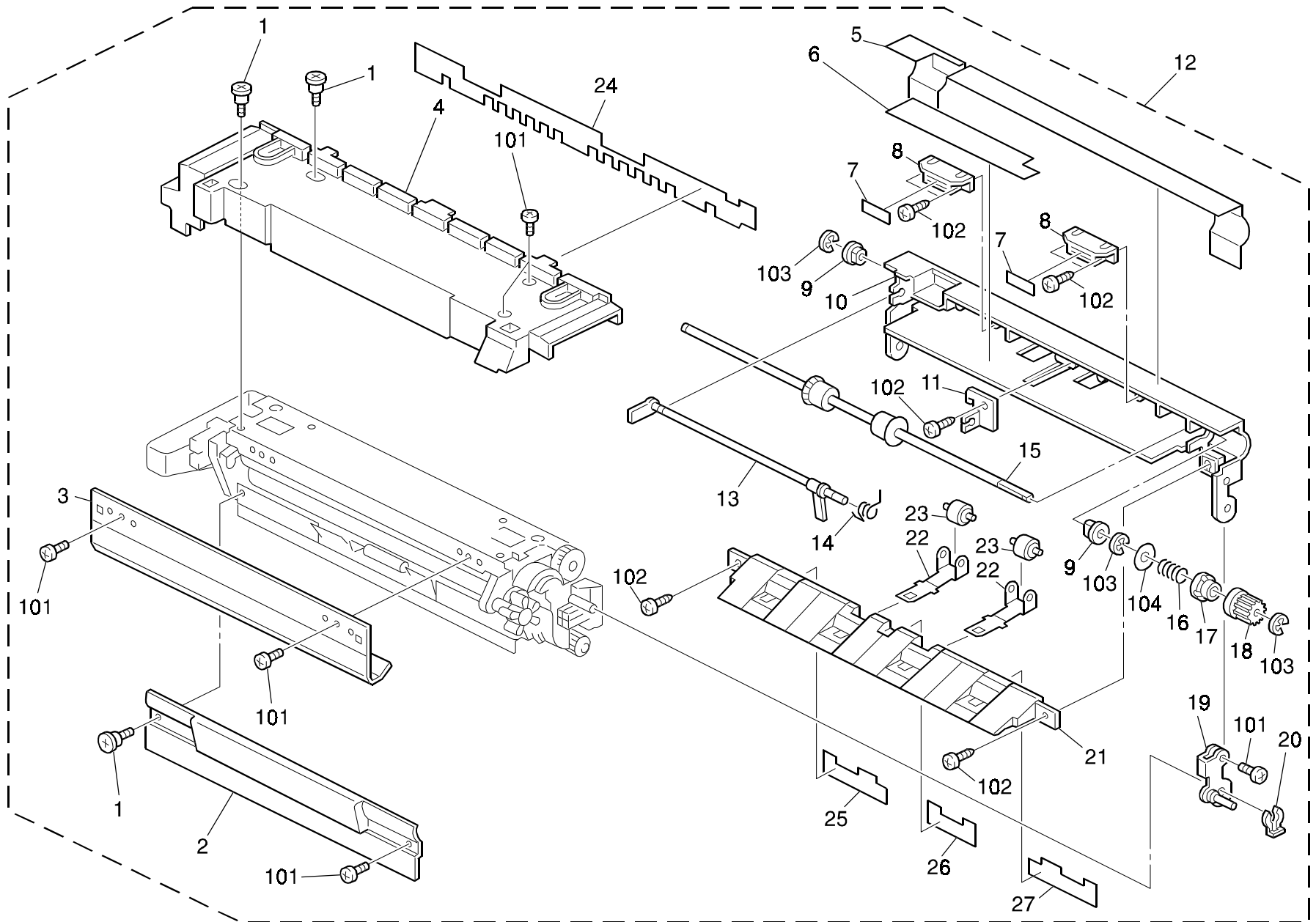


9.OPTICAL UNIT (G024)

Index No.	Part No.	Description	Q'ty Per Assembly
1	G024 2755	Optical Unit	1
2	G024 2821	Shielding Plate	1
3	G024 2866	Dust Proof Glass	1
4	G024 2801	Optical Houshing Cover	1
5	G020 1917	Decal - LD	1
6	G020 1918	Decal - Laser Diode (230V)	1
7	G024 2761	LD Unit	1
8	G024 5110	LD Unit Harness	1
9	G024 2843	Spring Plate - Polygon Motor	1
10	G020 5439	Harness - Polygon Mirror Motor	1
11	G024 2835	Positioning Pin	1
12	G024 5360	Sync Detector Board	1
13	G024 2867	Sync Detect Mirror	1
14	G024 2795	Optical Housing Cover	1
15	G024 2862	Polygon Motor	1

Index No.	Part No.	Description	Q'ty Per Assembly
101	0451 4010B	Tapping Screw - 4x10	
102	0450 3008B	Tapping Screw - M3x8	
103	0452 3010B	Tapping Bind Screw - M3x10	

10.FUSING UNIT 1 (G024)

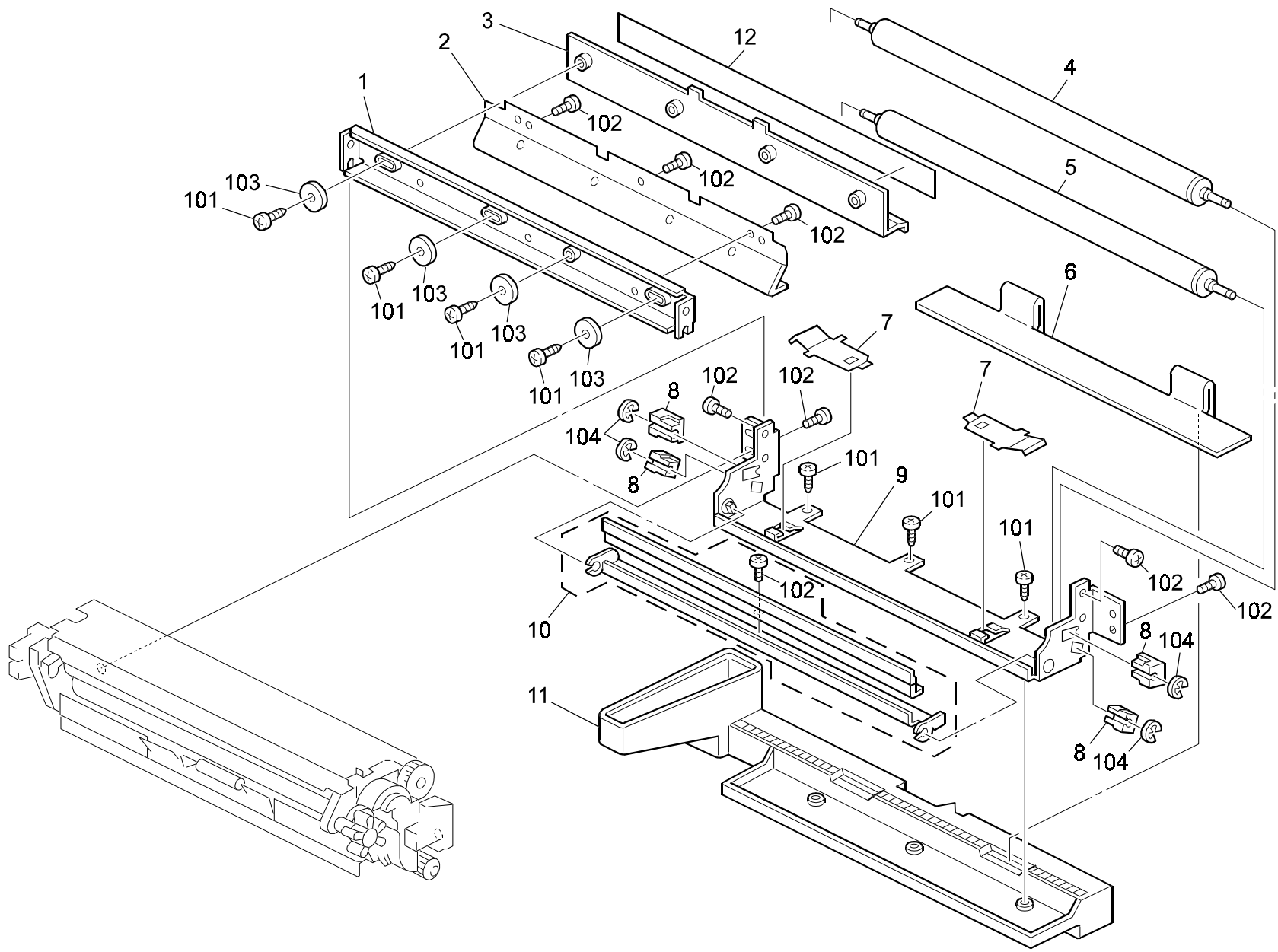


10.FUSING UNIT 1 (G024)

Index No.	Part No.	Description	Q'ty Per Assembly
1	AA14 3025	Stepped Screw - M3	3
2	G024 4640	Fusing Entrance Guide - Lower	1
3	G024 4644	Fusing Entrance Guide Plate - Upper	1
4	G024 4669	Fusing Cover	1
5	G024 4851	Exit Guide Outer Mylar	1
6	G024 4850	Exit Guide Middle Mylar	1
7	G024 4792	Magnetic Catch Seal	2
8	G024 4777	Magnetic Catch	2
9	H053 1600	Bushing - 6mm	2
10	G024 4769	Fusing Exit Frame	1
11	G024 4775	Sensor Feeler Holder	1
12	G024 4517	Fusing Unit Ass'y - 120V	1
12	G024 4527	Fusing Unit Ass'y - 220V	1
13	G024 4774	Paper Feed Sensor Feeler	1
14	AA06 6273	Spring	1
15	G024 4710	Exit Roller	1
16	A470 1704	Spring - Lower Exit Roller	1
17	G024 4768	Torque Limiter	1
18	G024 4759	Gear - 15Z	1
19	G024 4796	Right Bracket - Paper Exit	1
20	5206 2686	Snap Ring	1
21	G024 4772	Fusing Exit Guide	1
22	G024 4773	Exit Roller Holder	2
23	G024 4785	Guide Roller	2
24	G024 4860	Entrance Guide Mylar	1
25	G024 4856	Left Guide Mylar	1
26	G024 4857	Middle Guide Mylar	1
27	G024 4858	Right Guide Mylar	1

Index No.	Part No.	Description	Q'ty Per Assembly
101	0353 0060B	Philips Pan Head Screw - M3x6	
102	0452 3006B	Tapping Screw - M3x6	
103	0720 0060B	Retaining Ring - M6	
104	0807 4072	Washer - Core	

11.FUSING UNIT 2 (G024)

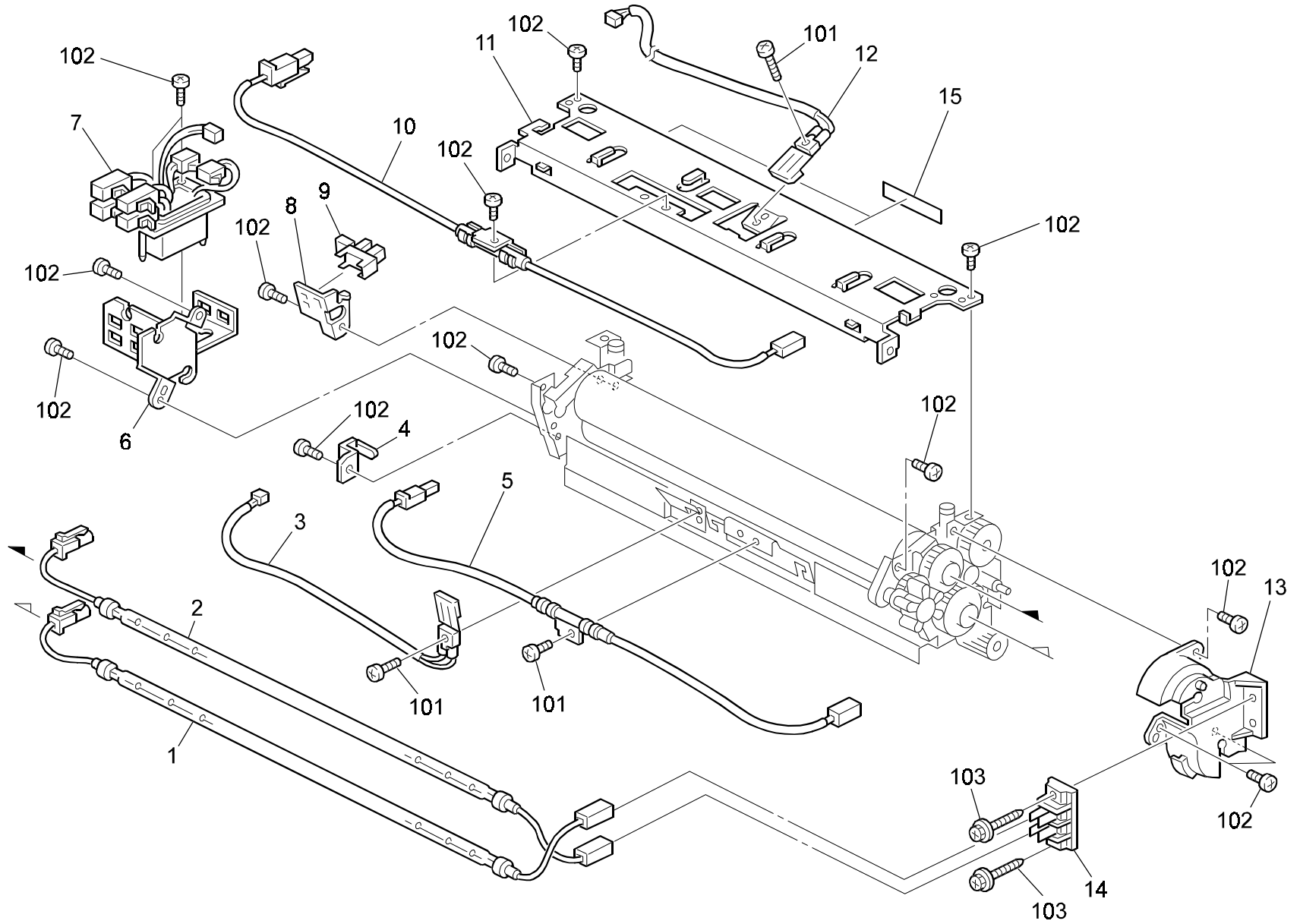


11.FUSING UNIT 2 (G024)

Index No.	Part No.	Description	Q'ty Per Assembly
1	G024 4647	Oil Supply Stay	1
2	G024 4664	Oil Pad	1
3	G024 4784	Exit Cover	1
4	G024 4750	Oil Supply Roller	1
5	G024 4751	Oil Supply Sub Roller	1
6	G024 4668	Oil Supply Pad	1
7	G024 4653	Spring Plate	2
8	AE03 1022	Bushing - 4mm	4
9	G024 4651	Oil Supply Frame	1
10	G024 4764	Cleaning Blade	1
11	G024 4655	Oil Reservoir	1
12	G024 4859	Exit Outer Mylar	1

Index No.	Part No.	Description	Q'ty Per Assembly
101	0450 3006B	Tapping Screw - M3x6	
102	0353 0060B	Philips Pan Head Screw - M3x6	
103	0807 2034	Washer - M3.5	
104	0720 0040B	Retaining Ring - M4	

12.FUSING UNIT 3 (G024)

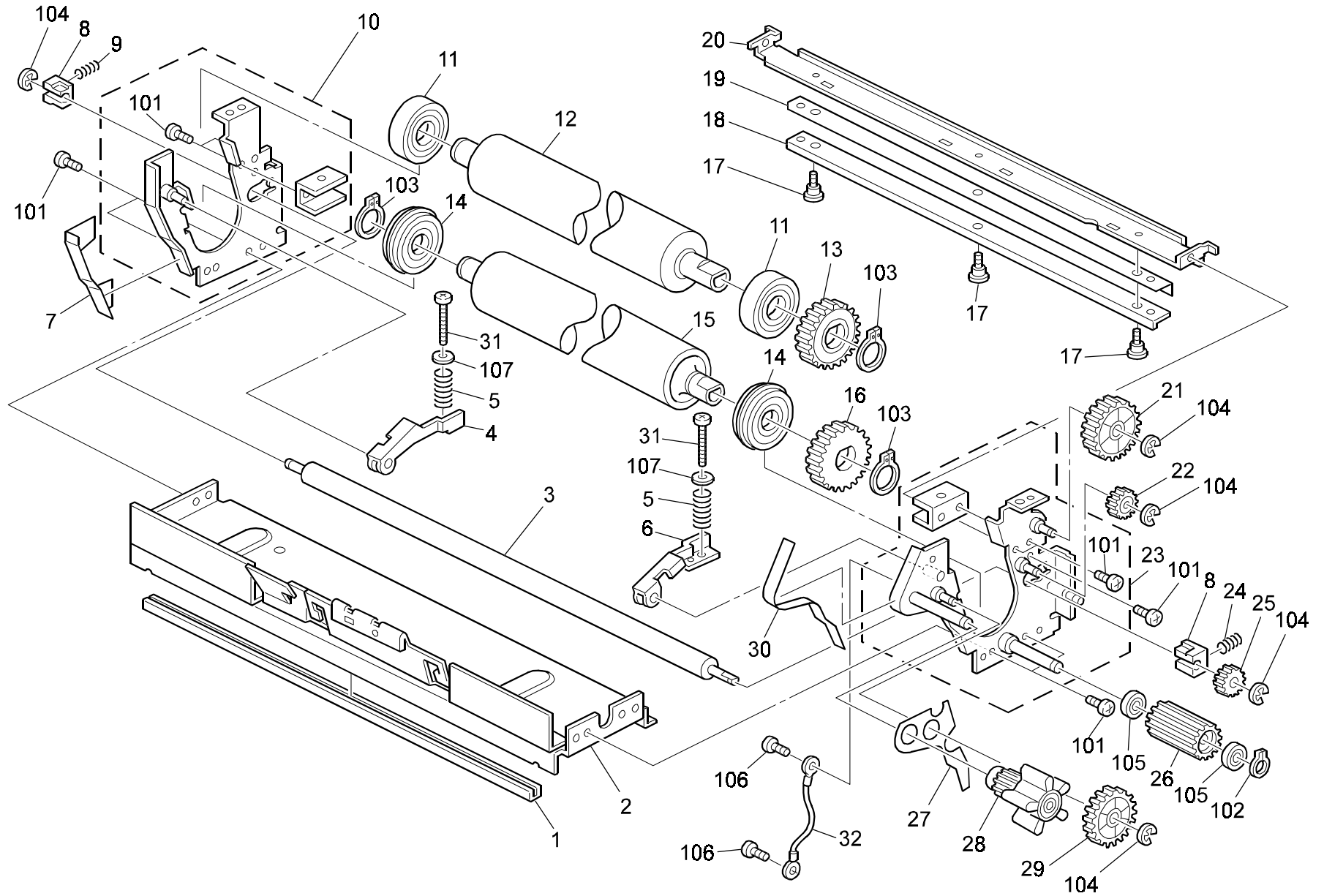


12.FUSING UNIT 3 (G024)

Index No.	Part No.	Description	Q'ty Per Assembly
1	G024 4788	Hot Roller Lamp - 120V 600W	1
1	G024 4790	Hot Roller Lamp - 230V 600W	1
2	G024 4789	Pressure Roller Lamp - 120V 400W	1
2	G024 4791	Pressure Roller Lamp - 230V 400W	1
3	G024 4682	Hot Roller Thermistor	1
4	G024 4626	Harness Guide	1
5	G024 4685	Hot roller Thermofuse - 167°C	1
6	G024 4680	Left Heater Holder	1
7	G024 4684	Fusing Unit Harness	1
8	G024 4695	Sensor Bracket	1
9	AW02 0086	Photointerruptor	1
10	G024 4686	Pressure Roller Thermofuse - 167°C	1
11	G024 4631	Upper Stay	1
12	G024 4683	Pressure Roller Thermistor	1
13	G024 4692	Right Heater Holder	1
14	A204 4074	Terminal Connector - 2p	1
15	G024 4855	Upper Stay Seal	2

Index No.	Part No.	Description	Q'ty Per Assembly
101	0353 0080B	Screw - M3X8	
102	0353 0060B	Philips Pan Head Screw - M3x6	
103	0450 3014B	Tapping Screw - M3x14	

13.FUSING UNIT 4 (G024)

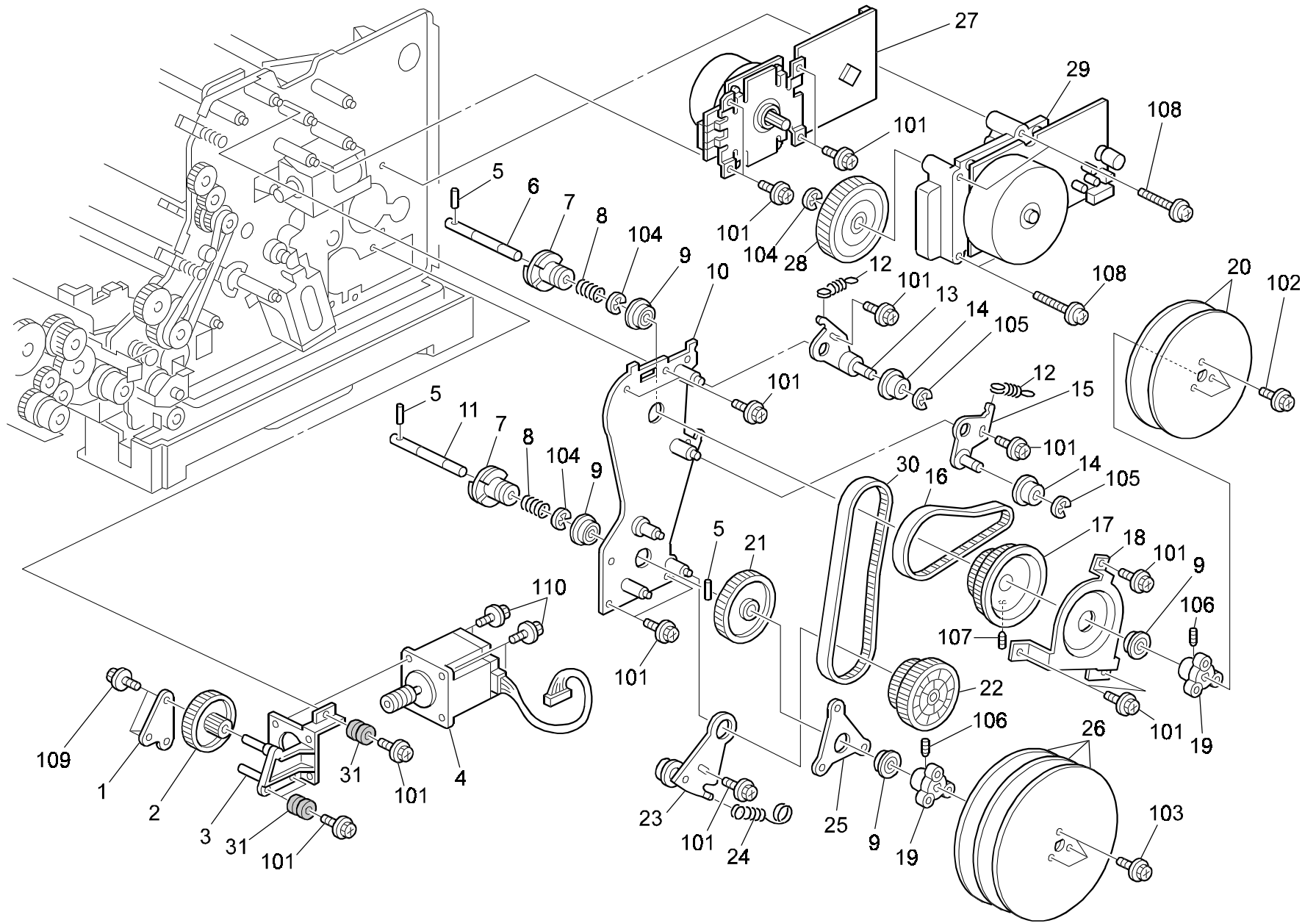


13.FUSING UNIT 4 (G024)

Index No.	Part No.	Description	Q'ty Per Assembly
1	G024 4633	Edging - EO-12N 11MM	1
2	G024 4628	Lower Stay	1
3	G024 4760	Fusing Cleaning Roller	1
4	G024 4661	Left Pressure Lever	1
5	G024 4757	Compression Spring	2
6	G024 4660	Right Pressure Lever	1
7	G024 4839	Left Outer Sheet	1
8	AE03 1021	Bushing - 6mm	2
9	AA06 3284	Spring	1
10	G024 4615	Left Side Plate	1
11	G024 4612	Ball Bearing - 20x37x9	2
12	G024 4610	Pressure Roller	1
13	G024 4613	Gear - 46Z	1
14	G024 4602	Ball Bearing - 20x37x9	2
15	G024 4600	Hot Roller	1
16	G024 4603	Gear - 45Z	1
17	AA14 3516	Stepped Screw - Max5	3
18	G024 4674	Scraper Holder	1
19	G024 4673	Cleaning Roller Scraper	1
20	G024 4672	Scraper Stay	1
21	G024 4761	Idle Gear - 30Z	1
22	G024 4763	Idle Gear - 19Z	1
23	G024 4614	Right Side Plate	1
24	AA06 3285	Spring	1
25	G024 4758	Gear - 14Z	1
26	G024 4753	Gear - 25Z	1
27	G024 4837	Right Outer Sheet	1
28	G024 4754	Fusing Knob	1
29	G024 4762	Idle Gear - 26Z	1
30	G024 4838	Right Sheet	1
31	AA14 3707	Stepped Screw - M5	2
32	G024 4868	Grounding Wire	1

Index No.	Part No.	Description	Q'ty Per Assembly
101	0353 0060B	Philips Pan Head Screw - M3x6	
102	0727 0080E	Retaining Ring - M8	
103	0725 0200E	Retaining Ring C - M20	
104	0720 0040B	Retaining Ring - M4	
105	0805 3270	Ball Bearing - 8x16x5mm	
106	0801 0149	Philips Pan Head Screw - M4x6	
107	0708 0050B	Washer - M5	

14.DRIVE SECTION 1 (G024)

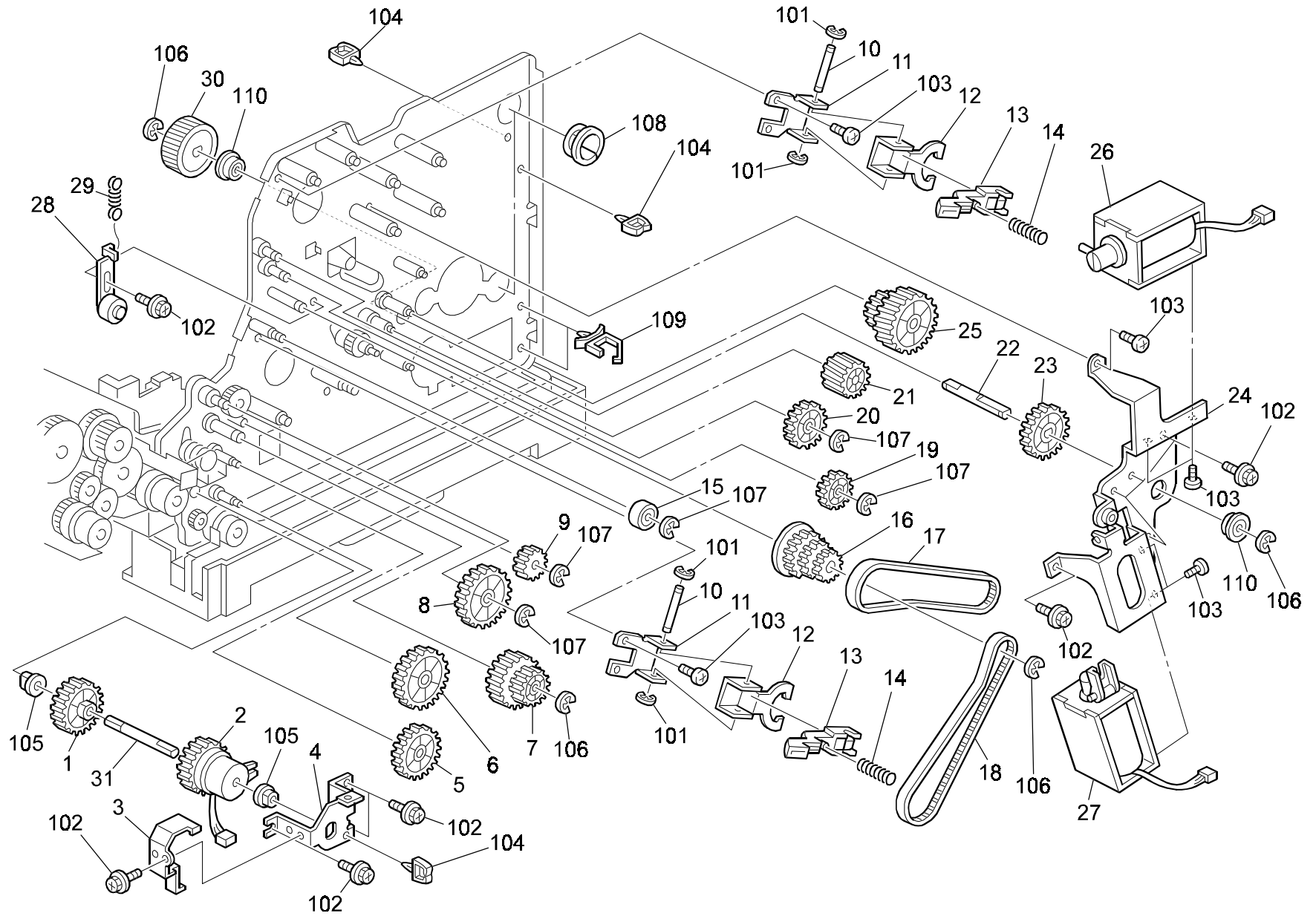


14.DRIVE SECTION 1 (G024)

Index No.	Part No.	Description	Q'ty Per Assembly
1	G024 1887	Gear Holder	1
2	G024 1825	Worm Wheel	1
3	G024 1877	Motor Bracket	1
4	G024 1871	Revolver Motor - DC3.2V 2.7A	1
5	G024 1314	Parallel Pin	3
6	G024 1312	Drive Shaft	1
7	G024 1324	Cam Clutch	2
8	G024 1329	Compression Spring	2
9	G024 1899	Ball Bearing - 8mm	4
10	G024 1730	Drive Gear Bracket	1
11	G024 1313	Driven Shaft	1
12	G024 1322	Tension Spring	2
13	G024 1347	Belt Tightner	1
14	G024 1318	Tightner Roller	2
15	G024 1719	Belt Tightener	1
16	G024 1315	Timing Belt - S1.5M 180	1
17	G024 1714	Pulley - 84Z/120Z	1
18	G024 1735	Upper Gear Holder	1
19	G020 1184	Flange - Fly Wheel	2
20	G024 1750	Fly Wheel - 118mm	2
21	G024 1712	Gear - 84Z	1
22	G024 1713	Gear - 84Z/84Z	1
23	G024 1250	Belt Tightener	1
24	G024 1286	Tightener Spring	1
25	G024 1736	Lower Gear Holder	1
26	G020 1189	Fly Wheel	3
27	G024 5451	PCU Motor - DC24V 6.5W	1
28	G024 1202	Idle Gear - 91Z	1
29	G024 5450	Main Motor - DC24V 40W	1
30	G024 1716	Timing Belt - S1.5M 378	1
31	G024 1897	Bushing - 5.5x8mm	3

Index No.	Part No.	Description	Q'ty Per Assembly
101	0451 3006B	Tapping Screw - M3x6	
102	0353 0100B	Screw - M3x10	
103	0353 0140B	Bind Screw - M3x14	
104	0720 0060B	Retaining Ring - M6	
105	0720 0040B	Retaining Ring - M4	
106	0574 0050E	Hexagon Headless Set Screw - M4x5	
107	0573 0040W	Hexagon Headless Set Screw - M3x4	
108	0951 4030B	Screw - M4x30	
109	0951 3006B	Philips Screw Whth Flat Washer - M3x6	
110	0314 0100B	Philips Pan Head Screw - M4x10	

15.DRIVE SECTION 2 (G024)

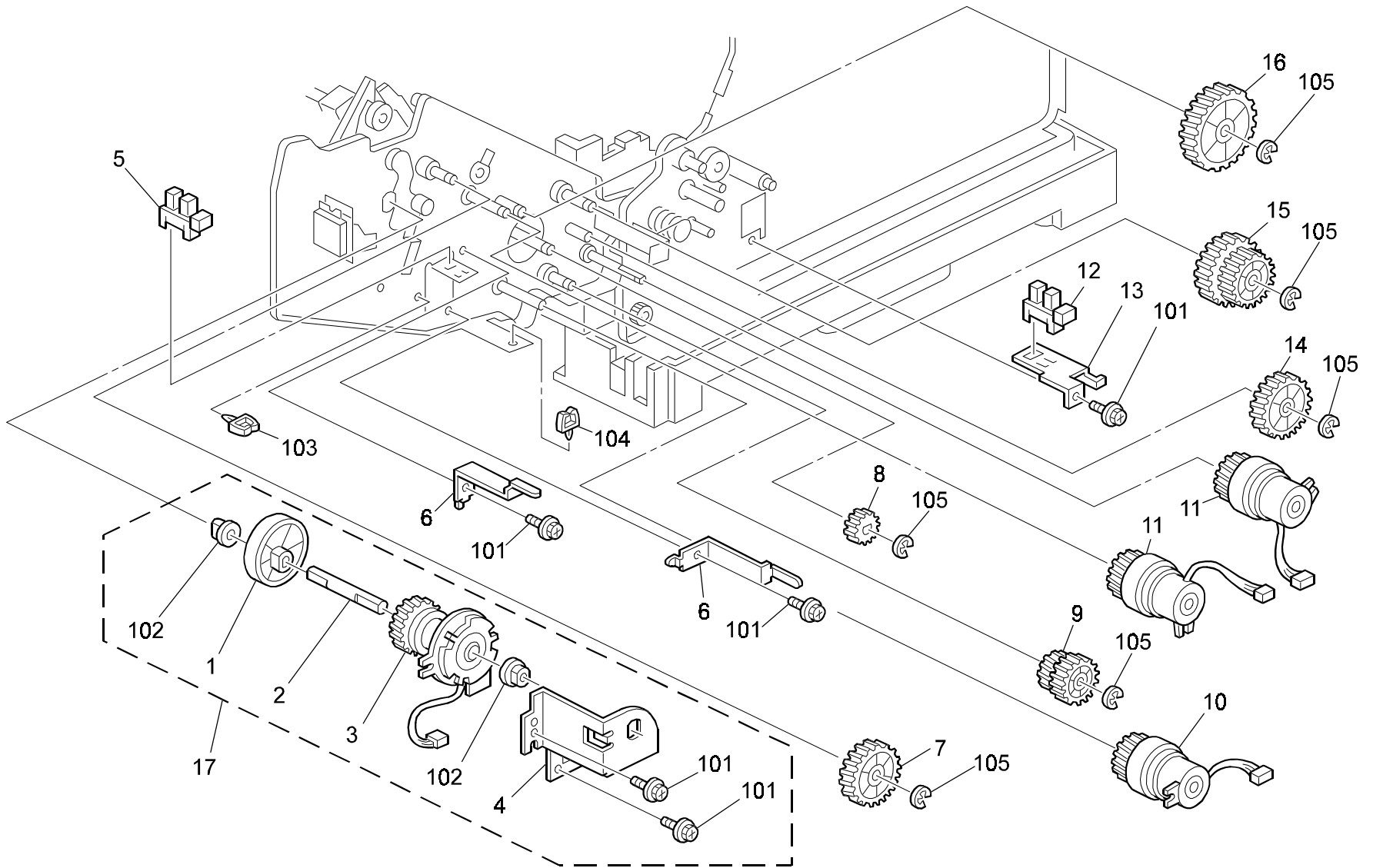


15.DRIVE SECTION 2 (G024)

Index No.	Part No.	Description	Q'ty Per Assembly
1	G024 1892	Transport Roller Gear	1
2	G024 5462	Pull-out Clutch - 25NCM	1
3	G024 3342	Clutch Cover	1
4	G024 1894	Magnetic Clutch Bracket	1
5	G024 1863	Idle Gear - 39Z	1
6	G024 1862	Idle Gear - 50Z	1
7	G024 1261	Gear - 30Z/39Z	1
8	G024 1264	Gear - 45Z	1
9	G024 1865	Idle Gear - 20Z	1
10	G024 1342	Joint Release Shaft	2
11	G024 1341	Joint Release Bracket	2
12	G024 1339	Joint Release Arm	2
13	G024 1740	Joint Release Lever	2
14	G024 1743	Compression Spring	2
15	G024 1249	Tightner Roller	1
16	G024 1242	Timing Pulley - 39Z/35Z/21Z	1
17	G024 1841	Timing Belt - B60S3M276	1
18	G024 1845	Timing Belt - B60S3M354	1
19	G024 1243	Idle Gear - 34Z	1
20	G024 1244	Idle Gear - 35Z	1
21	G024 1226	Idle Gear - 29Z	1
22	G024 1820	Drive Relay Shaft	1
23	G024 1824	Gear - 41Z	1
24	G024 1851	Solenoid Bracket	1
25	G024 1225	Gear - 43Z/21Z	1
26	G024 1881	Belt Cleaning Solenoid	1
27	G024 1235	Development Drive Solenoid - DC24V	1
28	G024 1246	Belt Tightener	1
29	G024 1259	Tightener Spring	1
30	G024 1819	Gear - 65Z	1
31	G024 1891	Transport Roller Shaft	1

Index No.	Part No.	Description	Q'ty Per Assembly
101	0720 0020B	Retaining Ring - M2	
102	0451 3006B	Tapping Screw - M3x6	
103	0353 0060B	Philips Pan Head Screw - M3x6	
104	1105 0230	Clamp	
105	0805 3480	Bushing - 6mm	
106	0720 0060B	Retaining Ring - M6	
107	0720 0040B	Retaining Ring - M4	
108	1106 0459	Bushing - 20.2mm	
109	1105 0291	Harness Clamp - LWS-3S	
110	0741 3508	Bushing - 8x14x4mm	

16.DRIVE SECTION 3 (G024)

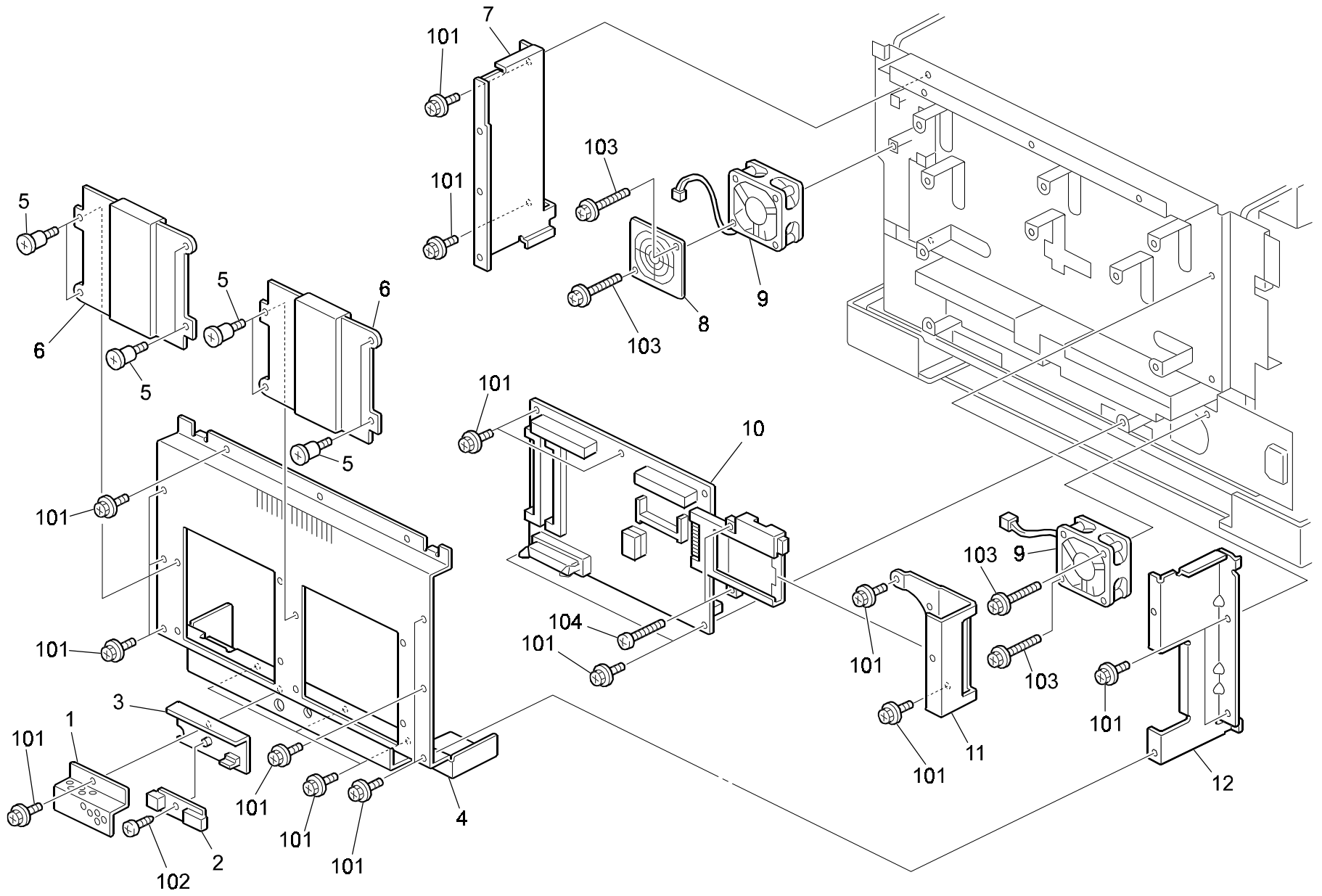


16.DRIVE SECTION 3 (G024)

Index No.	Part No.	Description	Q'ty Per Assembly
1	G024 3671	Cam Roller	1
2	G024 3677	Clutch Shaft	1
3	G024 5459	Transfer Roller Clutch - 49NCM	1
4	G024 3676	Clutch Bracket	1
5	AW02 0056	Photointerruptor - EE-SX4235A-P1	1
6	G024 3196	Magnetic Clutch Stopper	2
7	G024 1195	Idle Gear - 37Z	1
8	AB01 1346	Gear - 27Z	1
9	G024 1194	Gear - 25Z/33Z	1
10	G024 5460	By-pass Feed Clutch - 25NCM	1
11	G024 5456	Registration Clutch - 25NCM	1
12	AW02 0086	Photointerruptor	1
13	G024 1095	Sensor Bracket	1
14	G024 1193	Idle Gear - 45Z	1
15	G024 1191	Gear - 35Z/42Z	1
16	G024 1192	Idle Gear - 53Z	1
17	G024 3675	Spring Clutch Ass'y	1

Index No.	Part No.	Description	Q'ty Per Assembly
101	0451 3006B	Tapping Screw - M3x6	
102	0805 3386	Bushing - 8mm	
103	1105 0230	Clamp	
104	1105 0199	Clamp	
105	0720 0040B	Retaining Ring - M4	

17.ELECTRICAL SECTION 1 (G024)



17.ELECTRICAL SECTION 1 (G024)

Index No.	Part No.	Description	Q'ty Per Assembly
1	G024 1563	Shielding Plate	1
2	G024 5421	Temp/Humidity Sensor - CHS-MSST-RC	1
3	G024 1446	Sensor Holder	1
4	G024 1429	Control Board Cover	1
5	G020 1392	Screw - M3x8	8
6	G800 1175	Board Cover	2
7	G024 1424	Right Shielding Plate	1
8	G024 1423	Fan Motor Cover	1
9	AX64 0099	Fan Motor - DC24V 1.92W	2
10	G024 5313	Main Control Board	1
11	G024 1478	IC Card Support Plate	1
12	G024 1427	Left Shielding Plate	1

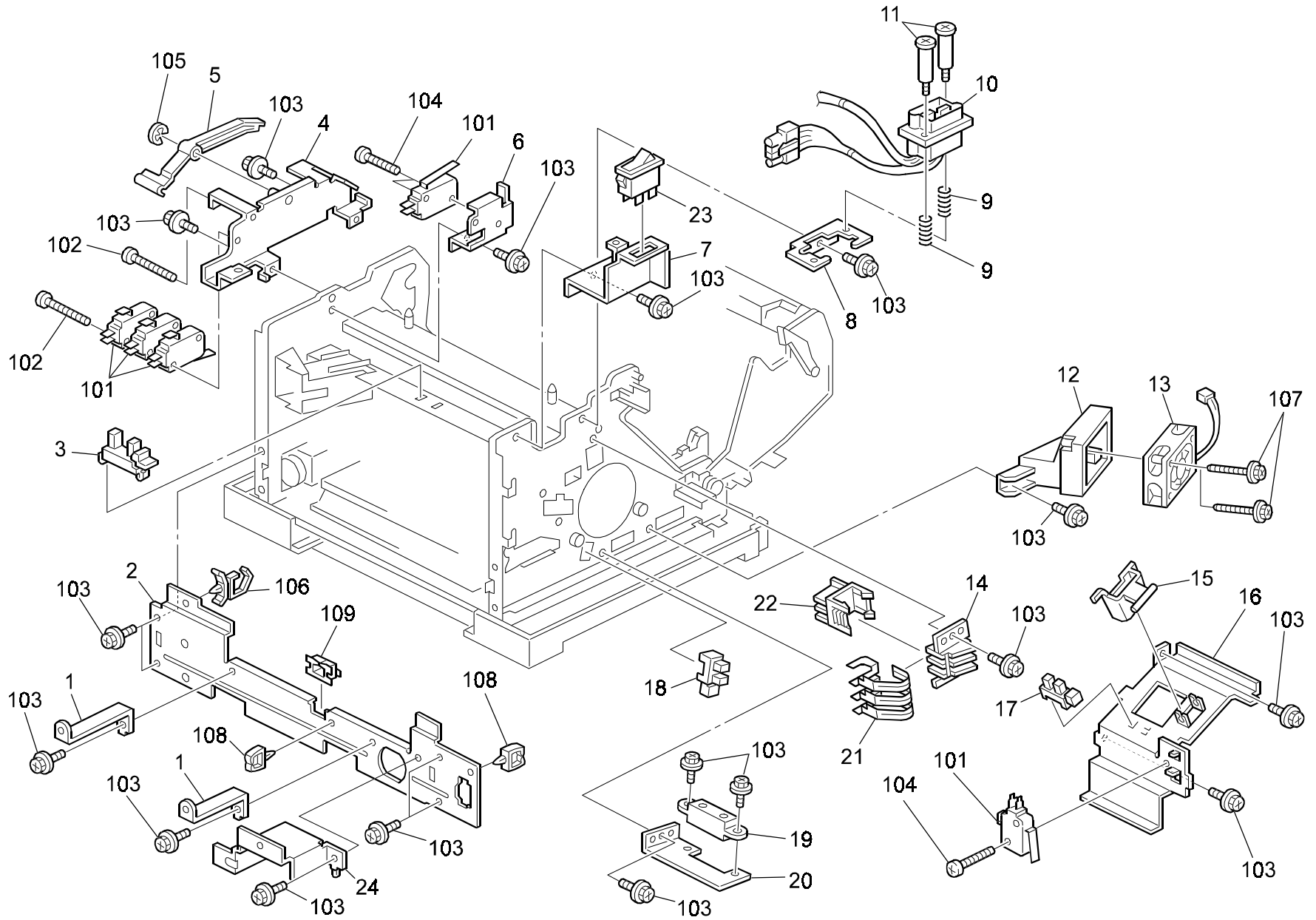
Index No.	Part No.	Description	Q'ty Per Assembly
101	0451 3006B	Tapping Screw - M3x6	
102	0353 0060Z	Screw - M3X6	
103	0451 4030B	Philips Tapping Screw - M4x30	
104	0312 5080B	Screw - M2.5x8	

18.ELECTRICAL SECTION 2 (G024)

Index No.	Part No.	Description	Q'ty Per Assembly
1	G024 1428	Rear Upper Stay	1
2	G024 5107	Harness:Polygon Motor	1
3	G024 5055	DC Power Supply Unit - 120V	1
3	G024 5056	DC Power Supply Board - 230V	1
4	G024 5111	DC Power Supply Harness	1
5	G024 5112	Main Switch Harness	1
6	G024 5124	High Voltage Harness - Charge	1
7	G024 5123	High Voltage Harness - Transfer	1
8	G024 5122	DTM Power Harness	1
9	G024 5117	High Voltage Harness	1
10	G024 5060	High Voltage Supply Board	1
11	G024 1415	Power Supply Holder	1
12	G024 5132	Main Input Harness	1
13	G024 5130	Right Main Harness	1
14	G024 5120	Paper Feed Unit Harness	1
15	G024 5125	AC Power Supply Harness	1
16	G024 5131	Main Output Harness	1
17	G024 5373	MCU Board	1
18	G024 1436	MCU Board holder	1
19	G024 5141	Inlet	1
20	G024 5113	Door Switch Harness	1
21	G800 8112	Power Supply Cord (120V)	1

Index No.	Part No.	Description	Q'ty Per Assembly
101	0451 3006B	Tapping Screw - M3x6	
102	2801 0036	Cable, AC Power (230V)	
103	1107 0895	Fuse - 6.3A (120V)	
103	1107 0622	Fuse - 3.15A 250V	
104	1107 0887	Fuse - 15A 250V (120V)	
104	1107 0880	Fuse - 6.3A 250V	
105	1105 0291	Harness Clamp - LWS-3S	
106	1105 0322	Cord Bushing	
107	1105 0230	Clamp	

19.ELECTRICAL SECTION 3 (G024)

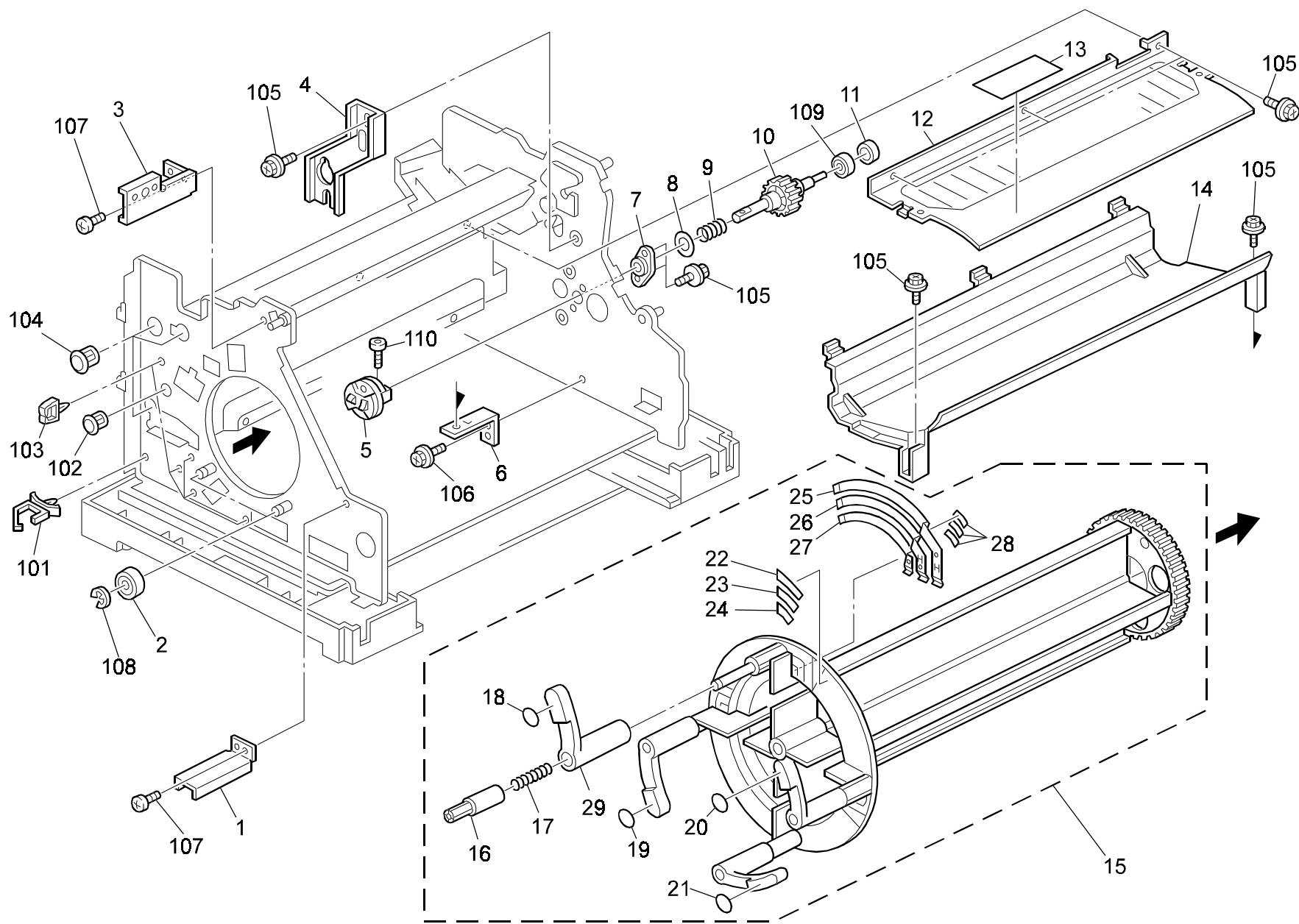


19.ELECTRICAL SECTION 3 (G024)

Index No.	Part No.	Description	Q'ty Per Assembly
1	G024 1407	Control Borad Bracket	2
2	G024 1414	Rear Lower Stay	1
3	G024 4740	Photointerruptor:Oil End Sensor	1
4	G024 1431	Switch Bracket	1
5	G024 1434	Safety Switch Lever	1
6	G024 4727	Switch Bracket	1
7	G024 1426	Main Switch Bracket	1
8	G024 4728	Connector Bracket	1
9	AA06 3068	Connector Spring	2
10	G024 5114	Relay Harness	1
11	5446 5832	Connector Guide Pin	2
12	G024 1421	Fan Motor Duct	1
13	AX64 0099	Fan Motor - DC24V 1.92W	1
14	G024 1771	Bias Terminal	1
15	G024 6973	Sensor Actuator	1
16	G024 1560	Inner Cover - Toner Hopper	1
17	AW02 0086	Photointerruptor	1
18	AW02 0056	Photointerruptor - EE-SX4235A-P1	1
19	G024 3998	Toner End Sensor	1
20	G024 6982	Toner End Sensor Bracket	1
21	G024 1772	Bias Terminal	3
22	G024 1773	Bias Terminal	1
23	G800 5611	Safety Switch - 200V 16A	1
24	G024 1438	Shielding Plate	1

Index No.	Part No.	Description	Q'ty Per Assembly
101	1204 2356	Micro Switch - AM51612A531	
102	0353 0350B	Bind Screw - M3x35	
103	0451 3006B	Tapping Screw - M3x6	
104	0353 0140B	Bind Screw - M3x14	
105	0720 0040B	Retaining Ring - M4	
106	1105 0291	Harness Clamp - LWS-3S	
107	0450 4030B	Tapping Screw - M4x30	
108	1105 0230	Clamp	
109	1105 0322	Cord Bushing	

20.FRAME SECTION 1 (G024)

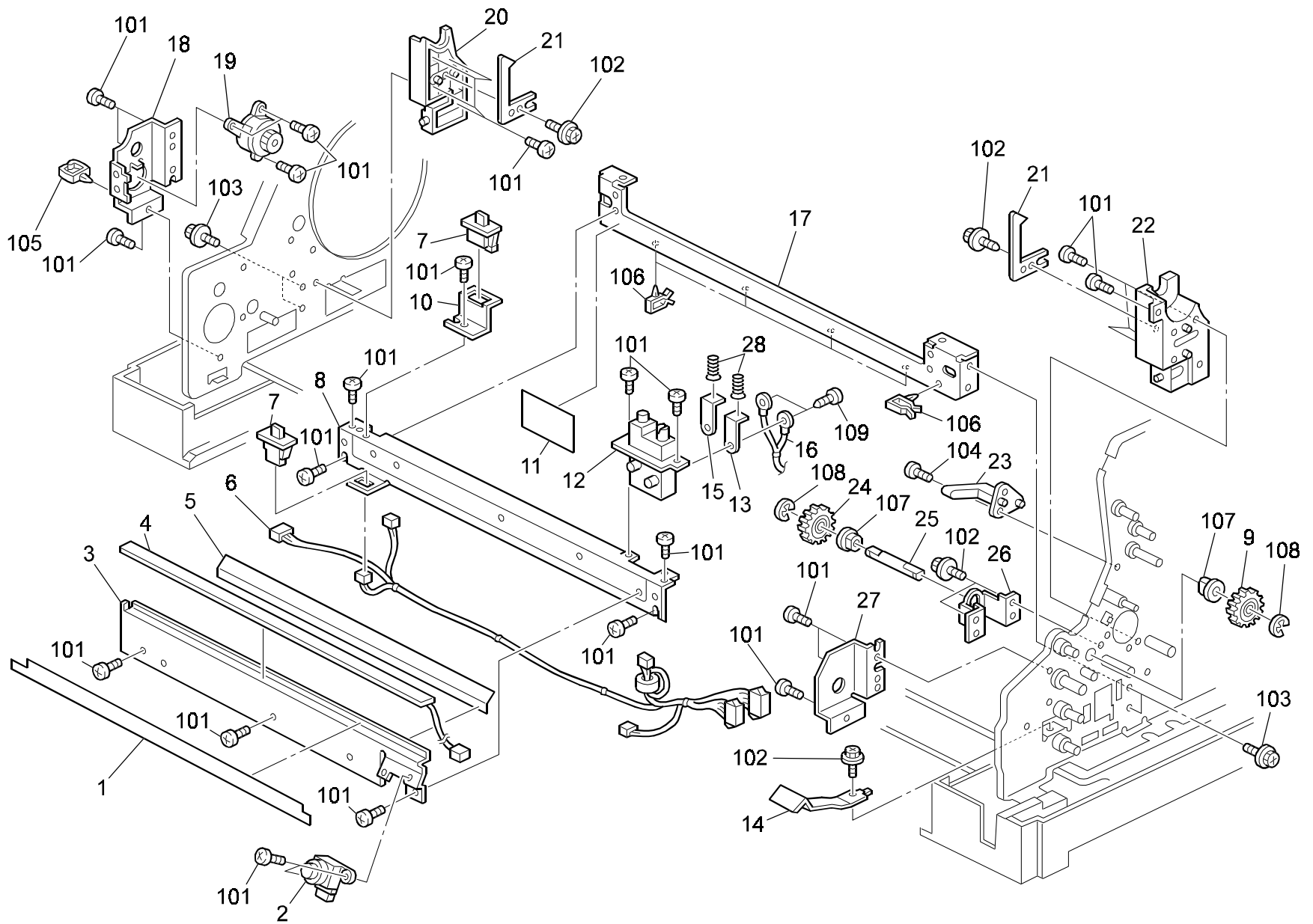


20.FRAME SECTION 1 (G024)

Index No.	Part No.	Description	Q'ty Per Assembly
1	G024 1696	Cover Bracket - Front Left	1
2	A232 3552	Ball Bearing - 8x22x7	1
3	G024 1695	Cover Bracket - Left Upper	1
4	G024 6974	Right Bearing Holder	1
5	G024 1251	Drive Joint	1
6	G024 1693	Development Cover Bracket	1
7	G024 1239	Bushing - 6x16mm	1
8	G024 1234	Spacer - 12.2x18x0.25	1
9	G024 1232	Compression Spring	1
10	G024 1229	Joint Gear - 27Z	1
11	G024 1233	Development Joint Collar	1
12	G024 1675	Development Upper Cover	1
13	G024 1676	Decal - Cleaner	1
14	G024 1774	DTM Lower Cover	1
15	G024 6844	Revolver Unit	1
16	G024 6960	Release Lever Holder	4
17	G024 6962	Spring	4
18	G024 6991	Display Decal - Cyan	1
19	G024 6993	Display Decal - Yellow	1
20	G024 6992	Display Decal - Magenta	1
21	G024 6994	Display Decal - Black	1
22	G024 6905	Insulating Sheet	1
23	G024 6906	Insulating Sheet	1
24	G024 6907	Insulating Sheet	1
25	G024 6900	Bias Terminal	1
26	G024 6902	Bias Terminal	1
27	G024 6901	Bias Terminal	1
28	G024 6904	Insulating Sheet	3
29	G024 6958	DTM Release Lever	4

Index No.	Part No.	Description	Q'ty Per Assembly
101	1105 0291	Harness Clamp - LWS-3S	
102	1106 0430	Bushing - 13mm	
103	1105 0230	Clamp	
104	1106 0459	Bushing - 20.2mm	
105	0451 3006B	Tapping Screw - M3x6	
106	0450 3008B	Tapping Screw - M3x8	
107	0353 0060B	Philips Pan Head Screw - M3x6	
108	0720 0060B	Retaining Ring - M6	
109	0741 3808	Ball Bearing - 8x16x5	
110	0593 0060W	Hexagon Bolt - M3x6	

21.FRAME SECTION 2 (G024)

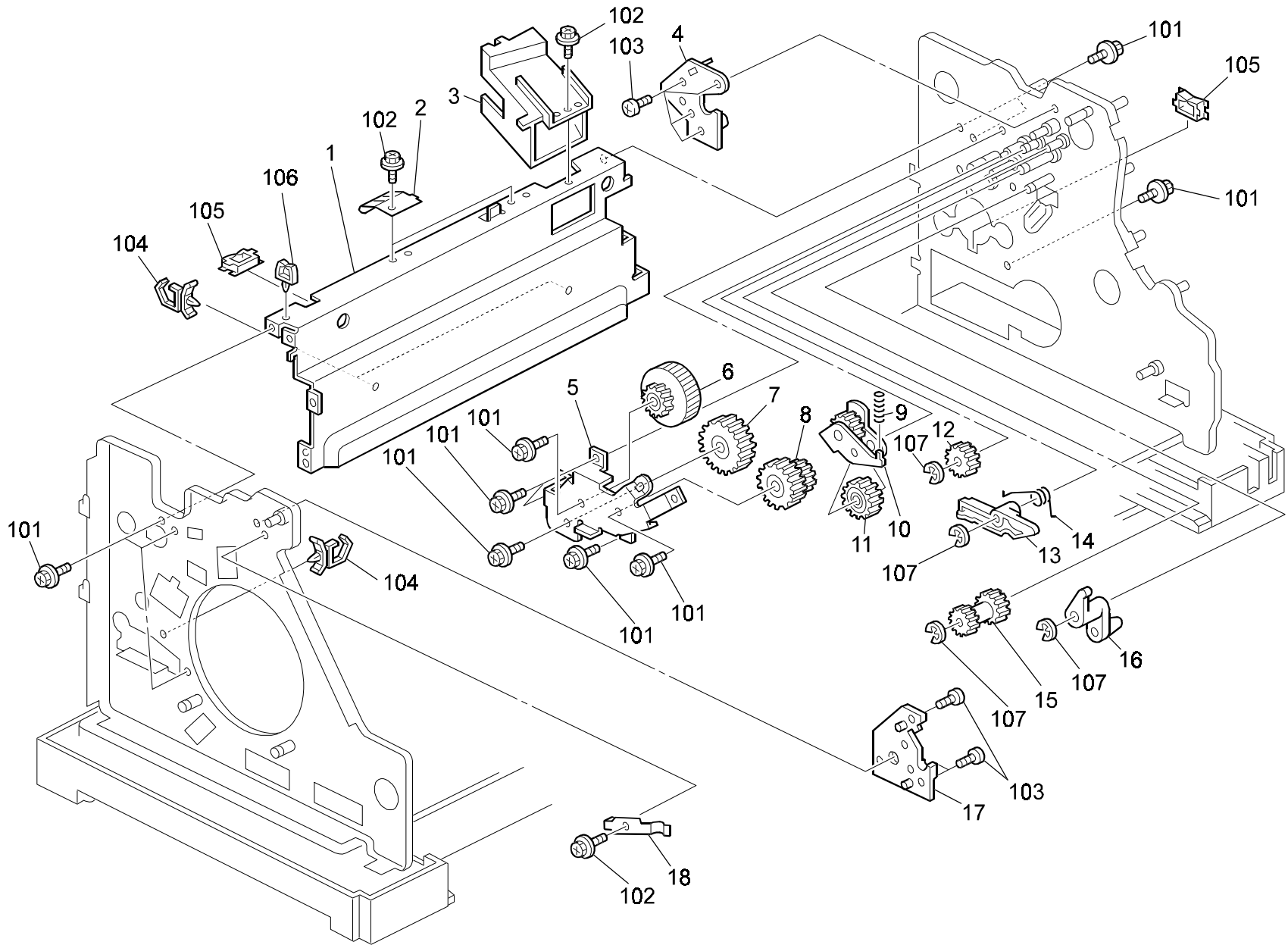


21.FRAME SECTION 2 (G024)

Index No.	Part No.	Description	Q'ty Per Assembly
1	G024 3723	Quenching Lamp Seal	1
2	AW23 0009	Toner End Sensor	1
3	G024 3722	Quenching Lamp Bracket	1
4	G024 3721	Quenching Lamp	1
5	G024 3724	Seal - 7x15x15	1
6	G024 5118	Toner Sensor Harness	1
7	G020 5626	Push Switch	2
8	G024 1073	Support Stay - Front Lower	1
9	G024 1267	Gear - 27Z	1
10	G024 1177	Switch Bracket	1
11	G024 1160	Seal - 36.5x50	1
12	G024 1152	Terminal Plate	1
13	G024 1153	Terminal Plate	1
14	G024 1691	Spring Plate	1
15	G024 1154	Terminal Grid	1
16	G024 5124	High Voltage Harness - Charge	1
17	G024 1072	Front Lowr Stay	1
18	G024 1061	Left Bracket - Contact Point	1
19	G024 1645	Oil Dumper	1
20	G024 1652	Position Plate - Lower Left	1
21	G024 1057	Lock Lever	2
22	G024 1656	Position Plate - Lower Right	1
23	G024 4315	Release Lever - PCU Shutter	1
24	G024 1869	Gear - 18Z	1
25	G024 1868	Lower Drive Shaft	1
26	G024 1141	Drive Shaft Bracket	1
27	G024 1065	Right Bracket - Contact Point	1
28	G024 1155	Terminal Spring	2

Index No.	Part No.	Description	Q'ty Per Assembly
101	0353 0060B	Philips Pan Head Screw - M3x6	
102	0451 3006B	Tapping Screw - M3x6	
103	0451 4006B	Tapping Screw - 4x6	
104	0353 0040B	Screw - M3X4	
105	1105 0230	Clamp	
106	1105 0267	Harness Clamp - YMC-10-0	
107	0805 3480	Bushing - 6mm	
108	0720 0040B	Retaining Ring - M4	
109	0452 3006B	Tapping Screw - M3x6	

22.FRAME SECTION 3 (G024)

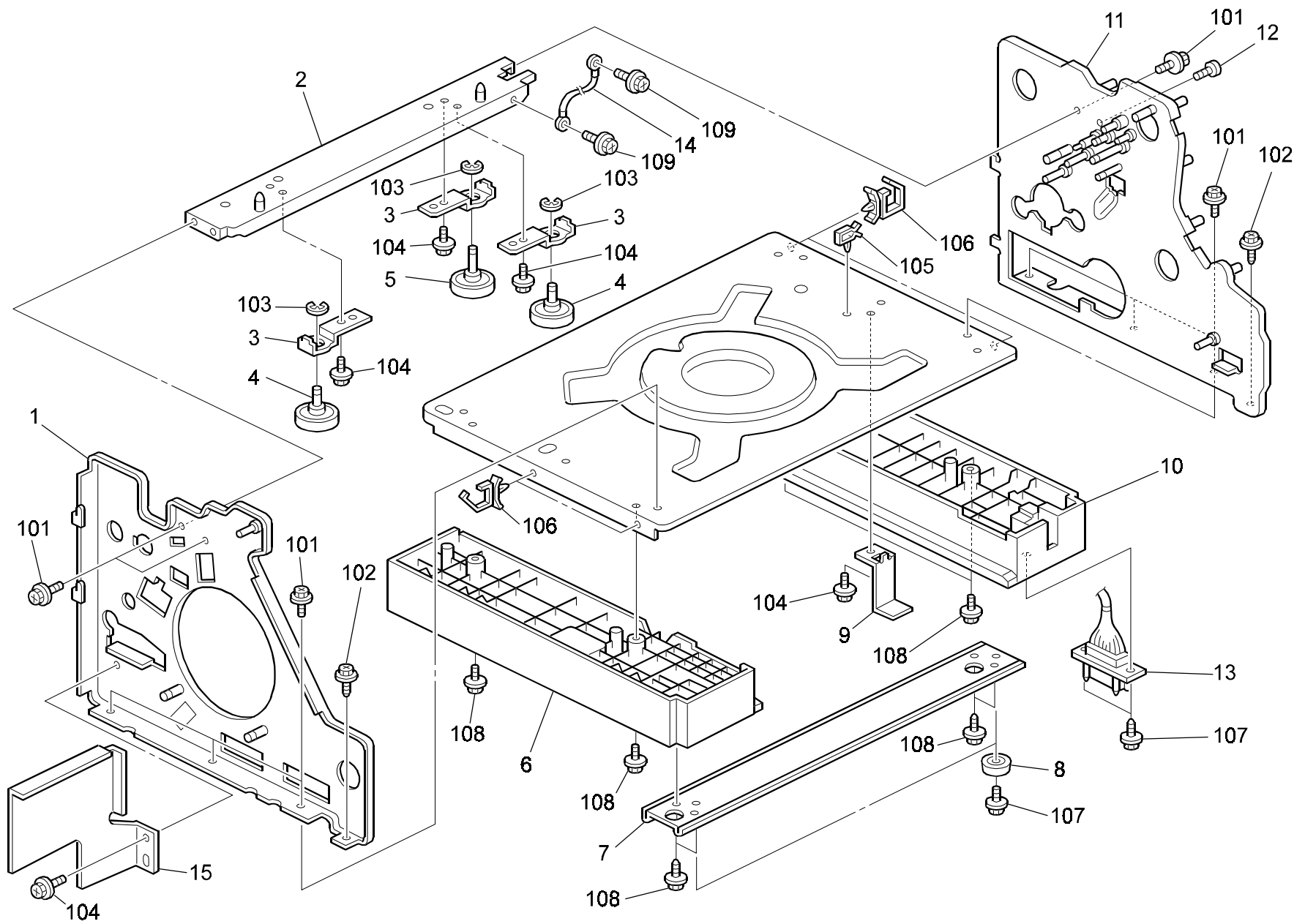


22.FRAME SECTION 3 (G024)

Index No.	Part No.	Description	Q'ty Per Assembly
1	G024 1671	Rear Stay	1
2	G024 1422	Grounding Plate	2
3	G024 1437	Cooling Fan Duct	1
4	G024 1655	Position Plate - Upper Right Front	1
5	G024 1814	Gear Bracket	1
6	G024 1803	Gear - 93Z/29Z	1
7	G024 1804	Gear - 49Z	1
8	G024 1806	Gear - 42Z/21Z	1
9	G024 1188	Compression Spring	1
10	G024 1808	Tightner Gear Ass'y	1
11	G024 1287	Gear - 25Z	1
12	G024 1813	Gear - 17Z	1
13	G024 1886	Fusing Drive Arm	1
14	G024 1889	Torsion Spring	1
15	G024 1815	Gear - 22Z/17Z	1
16	G024 1884	Cleaning Blade Lever	1
17	G024 1651	Position Plate - Upper Left Front	1
18	G024 1059	Grounding Plate	1

Index No.	Part No.	Description	Q'ty Per Assembly
101	0451 4006B	Tapping Screw - 4x6	
102	0451 3006B	Tapping Screw - M3x6	
103	0353 0060B	Philips Pan Head Screw - M3x6	
104	1105 0413	Harness Clamp	
105	1105 0322	Cord Bushing	
106	1105 0199	Clamp	
107	0720 0040B	Retaining Ring - M4	

23.FRAME SECTION 4 (G024)



23.FRAME SECTION 4 (G024)

Index No.	Part No.	Description	Q'ty Per Assembly
1	G024 1641	Side Plate	1
2	G024 4720	Fusing Unit Stay	1
3	G024 4712	Fusing Unit Bracket	3
4	G024 4832	Fusing Unit Stopper - Front	2
5	G024 4834	Fusing Unit Stopper - Rear	1
6	G024 1005	Right Guide Rail - Paper Tray	1
7	G024 1006	Guide Rail Stay	1
8	G024 1007	Rubber Foot - 23mm	2
9	G024 1003	Ground Plate	1
10	G024 1004	Left Guide Rail - Paper Tray	1
11	G024 1601	Shielding Plate	1
12	AA14 3396	Screw - M4X4	1
13	G024 5120	Paper Feed Unit Harness	1
14	G024 4868	Grounding Wire	1
15	G024 1582	Cover - Inlet	1

Index No.	Part No.	Description	Q'ty Per Assembly
101	0451 4006B	Tapping Screw - 4x6	
102	0452 4008B	Binding Self Tapping Screw - M4x8	
103	0720 0060B	Retaining Ring - M6	
104	0451 3006B	Tapping Screw - M3x6	
105	1105 0283	Clamp	
106	1105 0269	Wire Saddle	
107	0450 3008B	Tapping Screw - M3x8	
108	0450 4008B	Tapping Screw - 4x8	
109	0801 0149	Philips Pan Head Screw - M4x6	

24.MAIN CONTROL BOARD (G024)

CAPACITOR

SYMBOL NO.	INDEX NO.	SYMBOL NO.	INDEX NO.	SYMBOL NO.	INDEX NO.	SYMBOL NO.	INDEX NO.	SYMBOL NO.	INDEX NO.	SYMBOL NO.	INDEX NO.	SYMBOL NO.	INDEX NO.
C 101	230	C 114	233	C 128	239	C 138	233	C 151	233	C171	249	--	--
C 102	232	C 115	234	C 129	239	C 139	239	--	--	C172	247	C182	177
C 103	235	C 120	176	C 130	239	C 140	239	C 155	235	C173	247	C183	247
C 104	233	C 121	239	C 131	239	C 141	239	C 158	233	C174	249	--	--
C 105	231	C 122	239	C 132	239	C 142	239	--	--	C175	247	C185	237
C 106	233	C 123	239	C 133	239	C 143	239	C162	233	C176	249	C186	247
C 109	229	C 124	239	C 134	239	C 144	239	C167	171	--	--	C187	247
C 110	231	C 125	239	C 135	239	C 145	239	C168	249	C178	247	C188	237
C 111	231	C 126	239	C 136	239	C 146	239	--	--	C179	177	C189	237
C 113	233	C 127	239	C 137	172	C 150	233	C170	248	C180	247	C190	237

CAPACITOR

SYMBOL NO.	INDEX NO.	SYMBOL NO.	INDEX NO.	SYMBOL NO.	INDEX NO.	SYMBOL NO.	INDEX NO.	SYMBOL NO.	INDEX NO.	SYMBOL NO.	INDEX NO.	SYMBOL NO.	INDEX NO.
C 191	247	C 201	247	C 211	247	C 221	247	--	--	C 241	237	C 251	239
C 192	247	C 202	237	C 212	247	C 222	243	C 232	237	C 242	237	C 252	239
C 193	237	--	--	C 213	248	C 223	249	C 233	237	C 243	237	C 253	249
C 194	237	C 204	247	C 214	249	C 224	248	C 234	237	C 244	237	C 254	249
C 195	247	C 205	237	--	--	C 225	249	C 235	237	C 245	239	C 255	249
C 196	247	--	--	C 216	249	C 226	248	C 236	237	C 246	239	C 256	249
--	--	C 207	237	C 217	247	C 227	246	C 237	247	C 247	239	--	--
C 198	237	C 208	237	C 218	177	C 228	243	C 238	237	C 248	239	--	--
--	--	C 209	237	--	--	--	--	C 239	247	C 249	239	C 259	242
C 200	247	C 210	237	C 220	247	C 230	237	C 240	237	C 250	239	--	--

24.MAIN CONTROL BOARD (G024)

CAPACITOR

SYMBOL NO.	INDEX NO.	SYMBOL NO.	INDEX NO.	SYMBOL NO.	INDEX NO.	SYMBOL NO.	INDEX NO.	SYMBOL NO.	INDEX NO.	SYMBOL NO.	INDEX NO.		
C 261	249	C 271	247	C 281	175	C 291	237	C 301	249	C 311	248	C 321	247
C 262	249	C 272	246	C 282	175	C 292	249	C 302	249	C 312	248	C 322	247
C 263	249	C 273	243	C 283	245	C 293	249	--	--	C 313	177	C 323	249
C 264	249	C 274	248	C 284	249	C 294	249	C 304	177	C 314	249	C 324	247
C 265	249	C 275	247	C 285	249	C 295	249	C 305	248	C 315	247	C 325	247
C 266	247	C 276	239	C 286	237	C 296	249	C 306	249	--	--	C 326	249
--	--	C 277	239	C 287	237	C 297	249	C 307	248	C 317	247	C 327	249
C 268	249	C 278	239	C 288	237	--	--	--	--	--	--	--	--
C 269	247	C 279	237	C 289	237	C 299	249	C 309	248	C 319	247	--	--
C 270	247	C 280	237	C 290	237	--	--	C 310	248	C 320	247	C 330	249

CAPACITOR

SYMBOL NO.	INDEX NO.	SYMBOL NO.	INDEX NO.	SYMBOL NO.	INDEX NO.	SYMBOL NO.	INDEX NO.	SYMBOL NO.	INDEX NO.	SYMBOL NO.	INDEX NO.	SYMBOL NO.	INDEX NO.
--	--	C 341	177	C 351	248	C 361	247	C 371	249	C 381	249	--	--
C 332	249	C 342	177	C 352	247	C 362	247	C 372	229	C 382	249	C 392	237
C 333	249	C 343	177	C 353	243	C 363	247	C 373	249	--	--	C 393	245
C 334	247	C 344	177	C 354	243	C 364	239	C 374	247	C 384	249	C 394	237
C 335	174	C 345	177	C 355	243	C 365	239	C 375	238	C 385	237	C 395	237
C 336	249	C 346	177	C 356	243	C 366	239	C 376	243	C 386	245	C 396	237
C 337	243	C 347	177	C 357	243	C 367	239	--	--	C 387	246	C 397	237
C 338	247	C 348	247	C 358	247	C 368	247	C 378	237	C 388	237	C 398	249
C 339	231	--	--	C 359	248	--	--	C 379	237	C 389	237	C 399	237
C 340	177	--	--	C 360	247	C 370	240	C 380	237	C 390	237	C 400	237

24.MAIN CONTROL BOARD (G024)

CAPACITOR

SYMBOL NO.	INDEX NO.	SYMBOL NO.	INDEX NO.	SYMBOL NO.	INDEX NO.	SYMBOL NO.	INDEX NO.	SYMBOL NO.	INDEX NO.	SYMBOL NO.	INDEX NO.		
C 401	237	C 411	237	--	--	C 431	247	C 481	247	C 491	245	C 501	245
C 402	237	--	--	C 422	245	C 432	247	C 482	247	C 492	245	C 502	245
C 403	237	C 413	237	C 423	177	C 433	248	C 483	244	C 493	245	C 503	244
C 404	237	C 414	237	C 424	245	C 438	240	C 484	244	C 494	245	C 504	245
C 405	237	C 415	237	C 425	177	C 440	247	C 485	244	C 495	245	C 505	236
C 406	237	C 416	237	C 426	241	C 456	237	C 486	244	C 496	245	--	--
C 407	237	--	--	C 427	229	C 457	237	C 487	244	C 497	245	--	--
C 408	245	C 418	177	C 428	249	C 458	237	C 488	244	C 498	245	--	--
C 409	237	C 419	177	C 429	177	--	--	C 489	244	C 499	245	C 519	237
C 410	237	C 420	237	--	--	C480	173	C 490	244	C 500	245	C 520	249

CAPACITOR

SYMBOL NO.	INDEX NO.	SYMBOL NO.	INDEX NO.	SYMBOL NO.	INDEX NO.	SYMBOL NO.	INDEX NO.	SYMBOL NO.	INDEX NO.	SYMBOL NO.	INDEX NO.	SYMBOL NO.	INDEX NO.
C 521	177	C 531	249	C 541	246	C 551	237	C 561	246	C 571	246	C 581	237
C 522	177	C 532	249	C 542	246	C 552	246	C 562	246	C 572	246	C 582	237
--	--	C 533	177	C 543	246	C 553	237	C 563	237	C 573	237	C 583	237
C 524	237	--	--	C 544	246	C 554	237	C 564	237	C 574	237	C 584	237
C 525	243	--	--	C 545	237	C 555	246	C 565	237	C 575	237	C 585	237
C 526	247	C 536	247	C 546	246	C 556	237	C 566	246	C 576	237	C 586	237
C 527	247	C 537	247	C 547	246	C 557	237	C 567	237	C 577	237	C 587	237
--	--	C 538	246	C 548	246	C 558	246	C 568	237	C 578	237	C 588	237
C 529	248	C 539	246	C 549	246	C 559	246	C 569	246	C 579	237	C 589	237
C 530	177	C 540	246	C 550	246	C 560	237	C 570	237	C 580	237	C 590	237

24.MAIN CONTROL BOARD (G024)

CAPACITOR

SYMBOL NO.	INDEX NO.	SYMBOL NO.	INDEX NO.	SYMBOL NO.	INDEX NO.	SYMBOL NO.	INDEX NO.	SYMBOL NO.	INDEX NO.	SYMBOL NO.	INDEX NO.	SYMBOL NO.	INDEX NO.
C 591	237	C 561	237	C 571	237	C 581	237	C 591	237	C 601	237	C 611	237
C 592	237	C 562	237	C 572	237	C 582	237	C 592	237	C 602	237	C 612	237
C 593	237	C 563	237	C 573	237	C 583	237	C 593	237	C 603	237	C 613	237
C 594	237	C 564	237	C 574	237	C 584	237	C 594	237	C 604	237	C 614	237
C 595	237	C 565	237	C 575	237	C 585	237	C 595	237	C 605	237	C 615	237
C 596	237	C 566	237	C 576	237	C 586	237	C 596	237	C 606	237	C 616	237
C 597	237	C 567	237	C 577	237	C 587	237	C 597	237	C 607	237	C 617	237
C 598	237	C 568	237	C 578	237	C 588	237	C 598	237	C 608	237	C 618	237
C 599	237	C 569	237	C 579	237	C 589	237	C 599	237	C 609	237	C 619	237
C 560	237	C 570	237	C 580	237	C 590	237	C 600	237	C 610	237	C 620	237

CAPACITOR

SYMBOL NO.	INDEX NO.	SYMBOL NO.	INDEX NO.	SYMBOL NO.	INDEX NO.	SYMBOL NO.	INDEX NO.	SYMBOL NO.	INDEX NO.
C 621	237	C 631	237	C 641	237	C 651	240	C 661	237
C 622	237	C 632	237	C 642	237	C 652	240	C 662	237
C 623	237	C 633	237	C 643	237	C 653	237	C 663	237
C 624	237	C 634	237	C 644	237	C 654	240	C 664	237
C 625	237	C 635	237	--	--	C 655	237	C 665	237
C 626	237	C 636	245	--	--	C 656	240	C 666	237
C 627	237	C 637	237	C 647	237	C 657	240	C 667	237
C 628	237	C 638	237	C 648	237	C 658	237	C 668	237
C 629	237	C 639	237	C 649	237	C 659	237	C 669	237
C 630	237	C 640	237	C 650	237	C 660	237	C 670	237

CONNECTOR

SYMBOL NO.	INDEX NO.	SYMBOL NO.	INDEX NO.
C 671	237	CN 201	105
C 672	240	CN 202	111
C 673	237	CN 203	109
		CN 204	120
		CN 205	113
		--	--
		CN 207	103
		CN 208	115
		CN 209	114
		CN 210	112

24.MAIN CONTROL BOARD (G024)

CONNECTOR

SYMBOL NO.	INDEX NO.
CN 211	104
CN 212	116
CN 213	102
CN 214	107
CN 215	110
CN 216	108
CN 217	123
CN 218	106
CN 219	121
--	--

SYMBOL NO.	INDEX NO.
CN 221	122
CN 222	118
CN 223	119

DA

SYMBOL NO.	INDEX NO.
DA 101	131
DA 102	131
DA 103	131
DA 104	131
DA 105	131
DA 106	131
DA 107	131
DA 108	131
DA 109	131
DA 110	131

SYMBOL NO.	INDEX NO.
DA111	131

DIODE

SYMBOL NO.	INDEX NO.
D 101	132

FILTER

SYMBOL NO.	INDEX NO.
FIL 101	170
FIL 102	179
FIL 103	180
FIL 104	180
FIL 105	180
FIL 106	180
FIL 107	181
FIL 108	3
FIL 109	3
FIL 110	3

SYMBOL NO.	INDEX NO.
FIL 111	3
FIL 112	3
FIL 113	3
FIL 114	3
FIL 115	3
FIL 116	3
FIL 117	3
FIL 118	3
FIL 119	3
FIL 120	3

SYMBOL NO.	INDEX NO.
FIL 121	3
FIL 122	3
FIL 123	3
FIL 124	3
FIL 125	3
FIL 126	3
FIL 127	3
FIL 128	3
--	--
FIL 130	169

FILTER

SYMBOL NO.	INDEX NO.
FIL 131	3
FIL 132	3
--	--
--	--
--	--
FIL 136	3
FIL 137	185
FIL 138	184
FIL 139	182
FIL 140	186

SYMBOL NO.	INDEX NO.
FIL 141	186
FIL 142	183
FIL 143	182
FIL 146	188
FIL 149	182
FIL 151	187
FIL 152	187
FIL 159	186
FIL 160	186
FIL 161	186

SYMBOL NO.	INDEX NO.
FIL 162	186
FIL 165	183

IC

SYMBOL NO.	INDEX NO.
IC 101	157
IC 102	137
IC 103	150
IC 104	1
IC 105	146
IC 106	155
(Socket)	124
IC 108	134
IC 109	140
IC 110	158

SYMBOL NO.	INDEX NO.
IC 111	152
IC 112	156
IC 113	250
IC 114	143
IC 115	143
IC 116	2
IC 117	151
--	--
IC 119	147
--	--

SYMBOL NO.	INDEX NO.
IC 121	144
IC 122	147
IC 123	135
IC 124	135
--	--
IC 126	148
IC 127	149
IC 128	148
IC 129	143
IC 130	135

SYMBOL NO.	INDEX NO.
--	--
IC 132	136
IC 133	153
IC 134	141
IC 135	135
--	--
IC 137	140
IC 138	137
IC 139	135
IC 140	139

24.MAIN CONTROL BOARD (G024)

IC

SYMBOL NO.	INDEX NO.
IC 141	142
IC 142	154
IC 143	138
IC 144	138
IC 145	145

JP

SYMBOL NO.	INDEX NO.
JP 115	219
JP 142	219
JP 151	225
JP 152	219
JP 153	219

L

SYMBOL NO.	INDEX NO.
L 103	178

LED

SYMBOL NO.	INDEX NO.
LED 101	133

OSC

SYMBOL NO.	INDEX NO.
OSC 102	160
OSC 103	161

Q

SYMBOL NO.	INDEX NO.
--	--
Q 102	130
Q 103	129
Q 104	129
Q 105	129
Q 106	129
--	--
--	--
Q 109	125
--	--

SYMBOL NO.	INDEX NO.
Q 111	130
Q 112	127
Q 113	128
Q 114	126
Q 115	125
Q 116	125
Q 117	127
Q 118	125
Q 119	125
Q 120	125

Q

SYMBOL NO.	INDEX NO.
Q 122	127
Q 125	125
Q 126	125

REG

SYMBOL NO.	INDEX NO.
REG 101	159

RESISTOR

SYMBOL NO.	INDEX NO.
R 101	189
--	--
--	--
R 104	202
R 105	206
R 106	210
R 107	210
R 108	210
R 109	210
R 110	210

SYMBOL NO.	INDEX NO.
R 111	210
--	--
--	--
R 114	210
R 115	218
R 116	221
R 117	220
R 118	223
R 119	197
R 120	220

SYMBOL NO.	INDEX NO.
R 121	221
R 122	202
R 123	202
R 124	201
R 125	201
R 126	191
R 127	201
R 128	201
R 129	201
R 130	210

SYMBOL NO.	INDEX NO.
R 131	215
R 132	197
R 133	197
--	--
R 135	209
R 136	209
R 137	209
R 138	209
R 139	209
R 140	209

SYMBOL NO.	INDEX NO.
R 141	209
R 142	219
R 143	209
R 144	209
R 145	209
R 146	210
R 147	226
R 148	194
R 149	198
--	--

SYMBOL NO.	INDEX NO.
--	--
R 152	210
R 153	210
R 154	210
R 155	210
R 156	210
R 157	210
R 158	210
R 159	210
R 160	210

SYMBOL NO.	INDEX NO.
R 162	218
R 167	199
R 168	210
R 169	210
R 170	210
R 176	210
R 177	210
R 178	210
R 179	210
R 180	218

24.MAIN CONTROL BOARD (G024)

RESISTOR

SYMBOL NO.	INDEX NO.	SYMBOL NO.	INDEX NO.	SYMBOL NO.	INDEX NO.	SYMBOL NO.	INDEX NO.	SYMBOL NO.	INDEX NO.	SYMBOL NO.	INDEX NO.	SYMBOL NO.	INDEX NO.
R 181	212	R 191	213	R 207	201	R 223	210	R 238	210	R 251	205	R 261	216
R 182	210	R 193	222	--	--	R 224	210	R 239	201	R 252	205	R 262	210
R 183	201	R 194	224	R 212	200	R 225	210	R 240	213	R 253	205	R 263	216
R 184	210	R 195	194	R 213	201	R 226	210	--	--	R 254	210	R 264	217
R 185	228	R 196	210	R 214	201	R 227	210	R 245	201	R 255	210	R 265	217
R 186	227	R 198	198	R 215	213	R 228	216	R 246	205	R 256	210	R 266	217
R 187	228	R 203	211	R 216	201	--	--	R 247	205	R 257	193	R 267	210
R 188	192	R 204	203	R 217	201	R 234	201	R 248	205	--	--	R 268	210
R 189	196	R 205	210	R 218	214	R 236	201	R 249	205	R 259	201	R 269	216
R 190	201	R 206	210	R 219	214	R 237	210	R 250	205	R 260	217	R 270	210

RESISTOR

SYMBOL NO.	INDEX NO.	SYMBOL NO.	INDEX NO.	SYMBOL NO.	INDEX NO.	SYMBOL NO.	INDEX NO.	SYMBOL NO.	INDEX NO.	SYMBOL NO.	INDEX NO.	SYMBOL NO.	INDEX NO.
R 271	210	R 290	210	R 303	200	R 331	214	R 341	190	--	--	R 361	217
R 272	210	R 292	210	R 304	200	R 332	190	R 342	190	R 352	196	R 362	216
R 273	201	R 293	210	R 307	200	R 333	190	R 343	200	R 353	192		
R 274	201	R 294	210	R 308	200	R 334	190	R 344	200	--	--		
R 277	210	R 295	210	R 309	200	R 335	190	R 345	200	--	--		
R 278	210	R 296	210	R 314	204	R 336	214	R 346	200	R 356	201		
R 279	201	R 297	210	R 315	204	R 337	210	--	--	R 357	201		
R 282	210	R 300	210	R 316	201	R 338	210	R 348	201	R 358	201		
R 284	210	R 301	200	R 317	201	R 339	190	R 349	210	--	--		
R 288	210	R 302	200	R 318	201	R 340	190	--	--	R 360	210		

RN

SYMBOL NO.	INDEX NO.
RN 101	165
RN 102	165
RN 108	168
RN 114	165
RN 115	165
RN 116	165
RN 131	165
RN 132	165
RN 134	165
RN 135	165

SYMBOL NO.	INDEX NO.
RN 138	165
RN 139	165
RN 140	165
RN 141	165
RN 142	165
RN 143	165
RN 144	168
RN 145	168
RN 146	165
RN 147	165

SYMBOL NO.	INDEX NO.
RN 148	165
RN 149	165
RN 150	165
RN 151	165
RN 152	165
RN 153	165
RN 154	165
RN 155	165
RN 156	165
RN 157	165

SYMBOL NO.	INDEX NO.
RN 164	164
RN 165	163
RN 167	167
RN 168	167
RN 169	167
RN 170	167
RN 171	167
RN 172	167
RN 173	167

TB

SYMBOL NO.	INDEX NO.
TB 101	117

TEST POINT

SYMBOL NO.	INDEX NO.
TP 106	101
TP 107	101
TP 112	101
TP 155	101
TP 157	101

24.MAIN CONTROL BOARD (G024)

Index No.	Part No.	Description	Q'ty Per Assembly
*	G024 5373	MCU Board	1
1	A222 5267	IC - GAVD	1
2	G024 5400	IC - TC203C220F002	1
3	G024 5431	Filter - Mb-2012-150	1

Index No.	Part No.	Description	Q'ty Per Assembly
101	1101 0328	Connector Pin Contact	
102	1102 4207	Connector - 8P	
103	1102 4210	Connector - 11P	
104	1102 4212	CT Header - 15P	
105	1102 5080	Connector - 5566-08A 8P	
106	1102 5410	Connector - 22P	
107	1102 6299	Connector - 6P	
108	1102 6300	Connector - 7P	
109	1102 6302	Connector - 9P	
110	1102 6303	Connector - 10P	
111	1102 6313	Connector - 6P	
112	1102 6396	Connector - 1P	
113	1102 6398	Connector - 2P	
114	1102 6399	Connector - 22P	
115	1102 6400	Connector - 24P	
116	1102 6402	Connector - 2P	
117	1102 6534	Connector - IMSA-9210B-1-02-GF	
118	1102 7132	Card Slot - 68p	
119	1102 7773	Connector - TX24-80R-LT-H1	
120	1102 8055	Connector - 5566-06A	
121	1102 8080	Connector - DF11-6DP-2DS	
122	1102 8096	Connector - DF11-24DP-2DSA	
123	1102 8097	Connector - DF11-26DP-2DSA	
124	1104 0588	Dip Socket - 28p	
125	1400 0591	Transistor - DTC113ZK	
126	1400 0663	Transistor - 2SA1037AK	
127	1400 0753	Transistor - DTC114VKA	
128	1400 0773	Transistor - 2SC3906K	
129	1400 0783	Transistor - TD62064AF	
130	1401 0869	Transistor-array - TD62003F	
131	1402 1142	Diode Array - DAN217	
132	1402 1336	Diode - 1SS355	
133	1403 0313	Diode - TLR102A	
134	1407 1596	TTLIC - SN74LS14NS	
135	1407 1600	TTLIC - SN74LS244NS	

24.MAIN CONTROL BOARD (G024)

Index No.	Part No.	Description	Q'ty Per Assembly
136	1407 1741	TTL - SN74LS32NS	
137	1407 1746	TTL - SN74LS240NS	
138	1407 1878	IC - TC4053BF	
139	1407 2135	TTLIC - 74F74SJ	
140	1407 2187	TTLIC - SN74LS07NS	
141	1407 2249	TTL - SN74LS174NS	
142	1407 2463	TTL - IC - SN74ALS08NS	
143	1407 3022	TTL - SN74ALS157ANS	
144	1407 3286	IC - TC74HC04AF	
145	1407 3683	IC - TC7W04F	
146	1407 3708	IC - SLA7026M	
147	1407 3766	IC - M66240FP	
148	1407 4322	IC - TD74ABT374F	
149	1407 4324	TTL Td74abt240f	
150	1407 4536	IC - ICS1574	
151	1407 4551	Cmos IC - Tc3w02f	
152	1407 4771	IC - MC68334GFC16	
153	1407 4840	IC - TC7SH04FU	
154	1407 4929	Cmos If - 74lcx74 Sop	
155	1407 4999	IC - STK22C48-W45	
156	1407 5032	IC - MBM29F400TC-70pFTN	
157	1408 0595	IC - NJM2904M	
158	1408 0611	IC - 3771	
159	1408 1295	IC - UPC2933T	
160	1503 0460	Oscillator - 32.768KHZ	
161	1503 0834	Oscillator - 44Mhz	
162	1600 1774	Resistor - 0.68 Ω \pm 5%	
163	1601 7724	Resistor - 680 Ω MNR14J681	
164	1601 7725	Resistor - 560 Ω MNR14J561	
165	1601 7801	Resistor Array - 10K Ω \pm 5% 1/16W	
166	1601 7802	Resistor - 100K Ω \pm 5% 1/16	
167	1601 7805	Resistor Array - 33 Ω \pm 5% 1/16W	
168	1601 7808	Resistor - 4.7k Ω \pm 5% 1/16w	
169	1602 7002	Capacitor - 50v 100mhom	
170	1602 7077	Filter - Stb271kba	

Index No.	Part No.	Description	Q'ty Per Assembly
171	1604 2291	Capacitor - 22 μ F10V	
172	1604 2510	Capacitor - 1 μ F \pm 20% 25V	
173	1604 4534	Capacitor - 47 μ F \pm 10% 50V	
174	1605 0577	Capacitor - 0.33 μ F+80-20%	
175	1605 0769	Capacitor - 20pF \pm 5% 50V	
176	1605 0913	Capacitor - 0.47uf	
177	1605 0927	Capacitor - 1000pF \pm 5% 25V	
178	1607 0551	Inductor - Blm32a07pb	
179	1607 0796	Noize Filter - ACF51832-470	
180	1607 0798	Filter - Acf451832-151	
181	1607 0852	Filter - Blm41p750spb	
182	1607 0953	Filter - Bk1608ll121	
183	1607 1039	Filter - Acb1608m-080	
184	1607 1049	Filter - Fbmh4525hm162nt	
185	1607 1050	Filter - Acf451832-681	
186	1607 1065	Filter - Fbmh3225hm102nt	
187	1607 1084	Filter - Bk1608hw601	
188	1607 1085	Filter - Bk1608lm152	
189	1630 1180	Resistor - 18 Ω \pm 5% 1/4W	
190	1630 1911	Resistor - 910 Ω \pm 5% 1/4W	
191	1630 3102	Resistor - 1K Ω 1/10W \pm 5%	
192	1630 3153	Resistor - 15K Ω \pm 5% 1/10W	
193	1630 3221	Resistor - 220 Ω \pm 5% 1/10W	
194	1630 3242	Resistor - 2.4K Ω \pm 5% 1/10W	
195	1630 3330	Resistor - 33 Ω \pm 5% 1/10W	
196	1630 3363	Resistor - 36 Ω \pm 5%	
197	1630 3472	Resistor - 4.7K Ω 1/10W \pm 5%	
198	1630 3473	Resistor - 47K Ω 1/10W \pm 5%	
199	1630 4100	Resistor - 10 Ω \pm 5% 1/16W	
200	1630 4102	Resistor - 1.0K Ω \pm 5% 1/16W	
201	1630 4103	Resistor - 10K Ω \pm 5% 1/16W	
202	1630 4104	Resistor - 100 Ω \pm 5% 1/16W	
203	1630 4106	Resistor -10m Ω \pm 5% 1/16w	

24.MAIN CONTROL BOARD (G024)

Index No.	Part No.	Description	Q'ty Per Assembly
204	1630 4109	Resistor - 1.0 Ω \pm 5% 1/16W	
205	1630 4121	Resistor - 120 Ω \pm 5% 1/16W	
206	1630 4124	Resistor - 120K Ω \pm 5%1/16W	
207	1630 4151	Resistor - 150 Ω \pm 5% 1/16w	
208	1630 4182	Resistor - 1.8K Ω \pm 5.00% 1/16W	
209	1630 4272	Resistor - 2.7k Ω - \pm 5% - 1/16w	
210	1630 4330	Resistor - 33 Ω \pm 5% 1/8W	
211	1630 4334	Resistor - 330K Ω \pm 5% 1/16W	
212	1630 4470	Resistor - 470 Ω \pm 5% 1/16W	
213	1630 4472	Resistor - 4.7K Ω \pm 5% 1/16W	
214	1630 4473	Resistor - 47k Ω - \pm 5% - 1/16w	
215	1630 4511	Resistor - 510 Ω - \pm 5% - 1/16w	
216	1630 4561	Resistor - 560 Ω \pm 5% 1/16W	
217	1630 4681	Resistor - 680 Ω \pm 5% 1/16W	
218	1630 4820	Resistor - 82 Ω \pm 5% 1/16W	
219	1633 0000	Resistor - 0 Ω 1/10W	
220	1633 2201	Resistor - 2.2 Ω \pm 1% 1/10W	
221	1633 3301	Resistor - 3.3K Ω \pm 1% 1/10W	
222	1633 3900	Resistor - 390 Ω \pm 1% 1/10W	
223	1633 5602	Resistor - 56K Ω \pm 1% 1/10W	
224	1633 6800	Resistor - 680 Ω \pm 1% 1/10W	
225	1634 0000	Resistor - 0 Ω - 1/16w	
226	1634 2000	Resistor - 200 Ω \pm 1% 1/16W	
227	1634 2201	Resistor - 2.20K Ω \pm 1% 1/16W	
228	1634 3301	Resistor - 3.3K Ω \pm 1% 1/16W	
229	1640 2101	Capacitor - 100 μ F \pm 20% 25V	
230	1640 5331	Capacitor - 330 μ F \pm 20% 50V	
231	1640 5470	Capacitor - 47 μ F \pm 20% 50V	
232	1640 5471	Capacitor - 470 μ F \pm 20% 50V	
233	1642 2470	Capacitor - 47 μ F \pm 20% 25V	
234	1643 2220	Capacitor - 22 μ F \pm 20% 25V	
235	1643 2479	Aluminum Capacitor-4.7 μ F \pm 20% 25v	
236	1660 1100	Capacitor - 10pF 50V	

Index No.	Part No.	Description	Q'ty Per Assembly
237	1660 2101	Capacitor - 100pF - \pm 10% - 50V	
238	1660 2220	Capacitor - 22pF \pm 20% 35V	
239	1660 2221	Capacitor - 220pF +80-20% 50V	
240	1660 3102	Capacitor - 1000pF \pm 5% 50V	
241	1660 3330	Capacitor - 33pF \pm 5% 50V	
242	1660 3390	Capacitor - 39pF \pm 5% 50V	
243	1660 3471	Capacitor - 470pF 50V	
244	1660 3680	Capacitor - 68pF \pm 5% 50V	
245	1660 3820	Capacitor - 82pF \pm 5% 50V	
246	1660 5222	Capacitor - 2200pF \pm 10% 50V	
247	1660 7103	Capacitor - 10000pF 50V	
248	1660 7104	Capacitor - 100000pF 50V	
249	1660 9104	C - 0.1 μ F25V	
250	1901 0042	Dram 4m 256kx16 70ns G7	

25.PRINTER CONTROL BOARD (G024)

CAPACITOR

SYMBOL NO.	INDEX NO.	SYMBOL NO.	INDEX NO.	SYMBOL NO.	INDEX NO.	SYMBOL NO.	INDEX NO.	SYMBOL NO.	INDEX NO.	SYMBOL NO.	INDEX NO.	SYMBOL NO.	INDEX NO.
C 1	143	C 11	141	C 21	150	C 31	150	--	--	C 51	144	C 61	150
C 2	143	C 12	150	C 22	150	C 32	150	--	--	C 52	125	C 62	150
C 3	142	C 13	150	C 23	150	C 33	150	--	--	C 53	144	C 63	125
C 4	141	C 14	125	C 24	125	C 34	150	--	--	C 54	125	C 64	124
C 5	140	C 15	125	C 25	125	C 35	150	--	--	C 55	144	C 65	124
C 6	140	C 16	150	--	--	C 36	150	C 46	150	C 56	125	C 66	125
C 7	143	C 17	150	--	--	C 37	150	C 47	150	C 57	144	C 67	124
C 8	143	C 18	125	--	--	--	--	C 48	150	C 58	125	C 68	125
C 9	143	C 19	150	--	--	--	--	C 49	125	C 59	144	C 69	125
C 10	143	C 20	150	--	--	--	--	C 50	144	C 60	125	C 70	124

CAPACITOR

SYMBOL NO.	INDEX NO.	SYMBOL NO.	INDEX NO.	SYMBOL NO.	INDEX NO.	SYMBOL NO.	INDEX NO.	SYMBOL NO.	INDEX NO.	SYMBOL NO.	INDEX NO.	SYMBOL NO.	INDEX NO.
C 71	125	C 81	124	C 91	125	C 101	125	C 111	146	C 121	150	C 141	125
C 72	124	C 82	125	C 92	144	C 102	144	C 112	150	C 122	146	C 142	146
C 73	124	C 83	124	C 93	125	C 103	125	C 113	146	C 123	150	C 143	150
C 74	125	C 84	144	C 94	144	C 104	150	C 114	150	C 124	150	C 144	150
C 75	150	C 85	125	C 95	125	C 105	150	C 115	146	C 126	146	C 145	146
C 76	124	C 86	144	C 96	144	C 106	125	C 116	150	--	--	C 146	146
C 77	149	C 87	125	C 97	125	C 107	150	C 117	146	C 137	146	C 147	150
C 78	148	C 88	144	C 98	144	C 108	146	C 118	150	C 138	150	C 148	146
C 79	148	C 89	125	C 99	125	C 109	150	C 119	150	C 139	150	C 149	150
C 80	125	C 90	144	C 100	144	C 110	146	C 120	146	C 140	146	C 150	146

25.PRINTER CONTROL BOARD (G024)

CAPACITOR

SYMBOL NO.	INDEX NO.
C 151	150
C 152	146
C 153	150
C 154	146
C 155	146
C 156	146
--	--
--	--
--	--
--	--

SYMBOL NO.	INDEX NO.
--	--
--	--
C 163	125
C 164	147
C 165	147
C 166	147
--	--
C 167	145

CONNECTOR

SYMBOL NO.	INDEX NO.
CN 1	106
CN 2	104
CN 3	104
CN 4	105
CN 5	103
CN 6	103
CN 7	102
CN 8	101

DIODE

SYMBOL NO.	INDEX NO.
D 1	109

FILTER

SYMBOL NO.	INDEX NO.
FIL 5	126

IC

SYMBOL NO.	INDEX NO.
IC 16	151
IC 17	118
IC 18	117
IC 19	117
IC 20	1
IC 21	5
IC 22	4
IC 23	120
(Socket)	107
IC 28	113

SYMBOL NO.	INDEX NO.
IC 29	114
IC 30	114
IC 31	114
IC 32	114
IC 33	112
IC 34	110
IC 35	110
IC 36	111
IC 37	116
IC 38	115

SYMBOL NO.	INDEX NO.
IC 39	115
IC 41	121
IC 42	119
IC 43	119
IC 44	3
IC 45	2

JP

SYMBOL NO.	INDEX NO.
JP 22	139
JP 23	139
JP 24	139
JP 25	139
JP 26	139
JP 27	139
JP 28	139
JP 29	139

OSC

SYMBOL NO.	INDEX NO.
OSC 1	123

REG

SYMBOL NO.	INDEX NO.
REG 1	122

RESISTOR

SYMBOL NO.	INDEX NO.
R 1	130
R 2	130
R 3	128
R 4	128
R 5	128
R 6	128
R 7	128
R 8	128
R 9	128
R 10	128

SYMBOL NO.	INDEX NO.
R 11	128
R 12	128
R 13	138
R 14	138
R 15	138
R 16	138
R 17	138
R 18	138
R 19	138
R 20	138

SYMBOL NO.	INDEX NO.
R 21	138
R 22	138
R 23	138
R 24	138
R 25	138
R 26	138
R 27	138
R 28	138
R 29	138
R 30	138

SYMBOL NO.	INDEX NO.
R 31	138
R 32	138
R 33	138
R 34	138
R 35	138
R 36	138
R 37	138
R 38	138
R 39	138
R 40	138

25.PRINTER CONTROL BOARD (G024)

RESISTOR

SYMBOL NO.	INDEX NO.	SYMBOL NO.	INDEX NO.	SYMBOL NO.	INDEX NO.	SYMBOL NO.	INDEX NO.	SYMBOL NO.	INDEX NO.	SYMBOL NO.	INDEX NO.
R 41	138	R 51	138	R 61	138	R 71	138	R 81	135	R 91	135
R 42	138	R 52	138	R 62	138	R 72	138	R 82	135	--	--
R 43	138	R 53	138	R 63	138	R 73	138	--	--	R 93	128
R 44	138	R 54	138	R 64	138	R 74	138	R 84	128	R 94	135
R 45	138	R 55	138	R 65	138	R 75	138	R 85	128	R 95	135
R 46	138	R 56	138	R 66	138	R 76	138	R 86	135	R 96	135
R 47	138	R 57	138	R 67	138	--	--	R 87	135	--	--
R 48	138	R 58	138	R 68	138	R 78	128	R 88	135	--	--
R 49	138	R 59	138	R 69	138	R 79	135	R 89	135	R 99	135
R 50	138	R 60	138	R 70	138	R 80	135	R 90	135	R 100	128
										R 101	135
										R 102	128
										R 103	135
										R 104	135
										R 105	128
										R 106	128
										R 107	128
										R 108	128
										R 109	128
										R 110	128

RESISTOR

SYMBOL NO.	INDEX NO.	SYMBOL NO.	INDEX NO.	SYMBOL NO.	INDEX NO.	SYMBOL NO.	INDEX NO.	SYMBOL NO.	INDEX NO.	SYMBOL NO.	INDEX NO.
R 111	128	--	--	--	--	R 141	130	R 151	137	R 161	134
R 112	128	R 122	128	R 132	128	R 142	132	R 152	128	R 162	134
R 113	135	R 123	133	R 133	128	R 143	130	R 153	128	R 163	134
R 114	135	R 124	128	R 134	128	R 144	130	R 154	128	R 164	134
R 115	135	R 125	134	R 135	128	R 145	130	R 155	128	R 165	134
R 116	135	R 126	136	R 136	135	R 146	130	R 156	128	R 166	134
R 117	135	R 127	136	R 137	135	R 147	130	R 157	128	R 167	134
R 118	135	--	--	R 138	135	R 148	130	R 158	128	R 168	134
--	--	R 129	131	R 139	128	R 149	130	R 159	128	R 169	134
R 120	128	R 130	129	R 140	130	R 150	130	R 160	128	R 170	134
										R 171	134
										R 172	134
										R 173	130
										R 174	130
										R 175	130
										R 176	130
										R 177	130
										R 178	130
										R 179	130
										R 180	130

RESISTOR

SYMBOL NO.	INDEX NO.
R 181	130
R 182	130
R 183	130
R 184	130
R 185	130
R 186	130
R 187	130
R 188	130
R 189	130
R 190	130

SYMBOL NO.	INDEX NO.
R 191	128
R 192	128
R 193	128
R 194	128
R 195	128
R 196	128
R 197	128
R 198	128
R 199	128
R 200	128

SYMBOL NO.	INDEX NO.
R 201	128
R 202	128
R 203	128
R 204	128
R 205	128
R 206	128
R 207	128
R 208	128
R 209	128
R 210	128

SYMBOL NO.	INDEX NO.
R 211	128
R 212	128
R 213	128
R 214	128
R 215	128
R 216	128
R 217	128
R 218	128
R 219	128
R 220	128

SYMBOL NO.	INDEX NO.
R 221	128
R 222	128
R 223	128
R 224	128
R 225	128
R 226	128
--	--
--	--
R 229	135

SW

SYMBOL NO.	INDEX NO.
SW 2	108

25.PRINTER CONTROL BOARD (G024)

Index No.	Part No.	Description	Q'ty Per Assembly
*	G024 5330	Printer Control Board	1
1	G024 5415	IC - UPD30210-177	1
2	G021 5934	IC - LHMN5KN0	1
3	G021 5935	IC - LHMN5KN1	1
4	G024 5412	IC - FCI2.5C	1
5	G024 5413	IC - UPD65848GN061	1

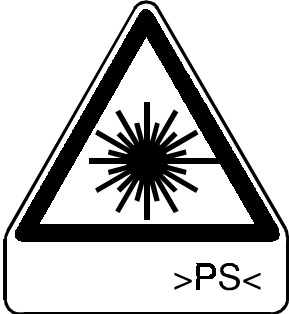
Index No.	Part No.	Description	Q'ty Per Assembly
101	1102 5894	Connector - 68P	
102	1102 6507	Connector - 36P	
103	1102 6524	Simm Socket - 72p	
104	1102 7358	Connector - 80P	
105	1102 7553	Connector Sx1ba-72s-0.635sh	
106	1102 7778	Connector - TX25-80P-12ST-	
107	1104 0378	IC Socket - 24p - DICF-24CS-E	
108	1204 1422	Dip Switch - 51d-0401	
109	1402 1343	Diode - RB106L-40	
110	1407 1600	TTLIC - SN74LS244NS	
111	1407 1747	TTLIC - SN74LS273NS	
112	1407 2976	TTLIC - SN74LS245NS	
113	1407 3292	IC - TC74HCT244AF	
114	1407 3729	IC - TC74ACT245F	
115	1407 4322	IC - TD74ABT374F	
116	1407 4324	TTL Td74abt240f	
117	1407 4741	Cmos - 74act1284msa	
118	1407 4742	TTL - 74F1071MSA	
119	1407 4963	IC - MBM29F800TA-70pFTN	
120	1407 4997	IC - AT28C16E-15PC	
121	1408 0611	IC - 3771	
122	1408 1350	Regulator - Pq3rf23	
123	1503 0834	Oscillator - 44Mhz	
124	1605 0677	Capacitor - 0.082 μ F \pm 10% 50V	
125	1605 0801	Capacitor - 0.01 μ F \pm 20%	
126	1607 0705	Noize Filter - ACF51832-470	
127	1623 1002	Resistor - 10k Ω	
128	1630 3103	Resistor - 10K Ω 1/10W \pm 5%	
129	1630 3104	Resistor - 100K Ω 1/10W \pm 5%	
130	1630 3122	Resistor - 1.2K Ω 1/10W \pm 5%	
131	1630 3124	Resistor - 120 Ω \pm 5% 1/10W	
132	1630 3203	Resistor - 20 Ω \pm 5% 1/10W	
133	1630 3221	Resistor - 220 Ω \pm 5% 1/10W	
134	1630 3330	Resistor - 33 Ω \pm 5% 1/10W	

Index No.	Part No.	Description	Q'ty Per Assembly
135	1630 3470	Resistor - 47 Ω 1/10W \pm 5%	
136	1630 3519	Resistor - 5.1 Ω \pm 5% 1/10W	
137	1630 3752	Resistor - 7.5K Ω \pm 5% 1/10W	
138	1630 4470	Resistor - 470 Ω \pm 5% 1/16W	
139	1633 0000	Resistor - 0 Ω 1/10W	
140	1642 0101	Capacitor - 100 μ F \pm 20% 50V	
141	1642 2101	Capacitor - 100 Ω \pm 20% 25V	
142	1642 2470	Capacitor - 47 μ F \pm 20% 25V	
143	1643 1470	Capacitor - 47 μ F \pm 20% 16v	
144	1660 2471	Capacitor - 470pF - \pm 5% - 50V	
145	1660 3220	Capacitor - 122pF \pm 5% 50V	
146	1660 3221	Capacitor - 220pF \pm 5% 50V	
147	1660 3471	Capacitor - 470pF 50V	
148	1660 3680	Capacitor - 68pF \pm 5% 50V	
149	1660 5102	Capacitor - 1000pF \pm 10% 50V	
150	1660 9104	C - 0.1 μ F25V	
151	1903 1009	IC - DRAM 16M 4MX4 60NS EDO G2	

Index No.	Part No.	Description	Q'ty Per Assembly

26.DECAL AND DOCUMENT (G024)


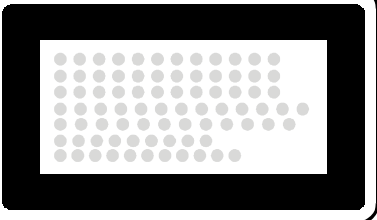
1



>PS<

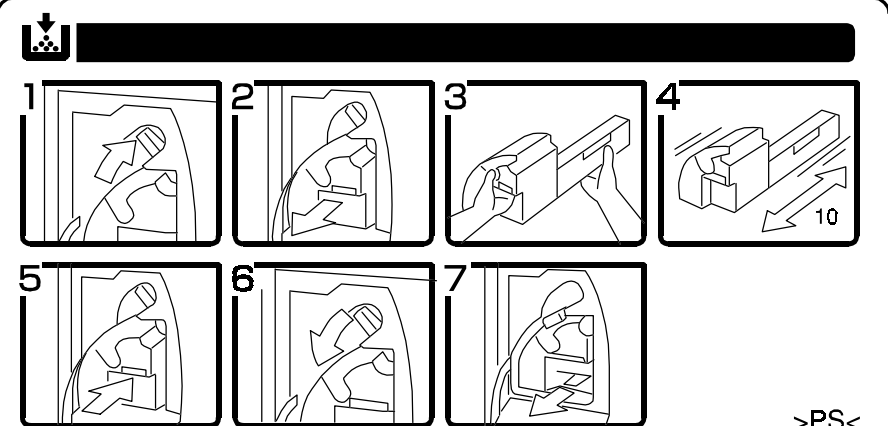
2

CAUTION
VORSICHT

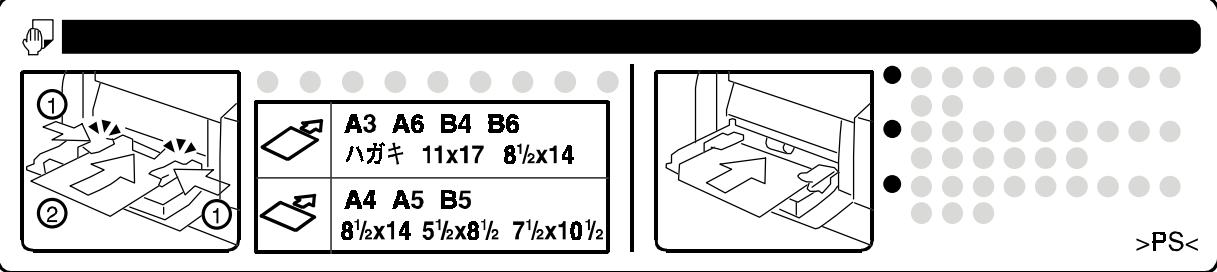
>PS<



3



>PS<


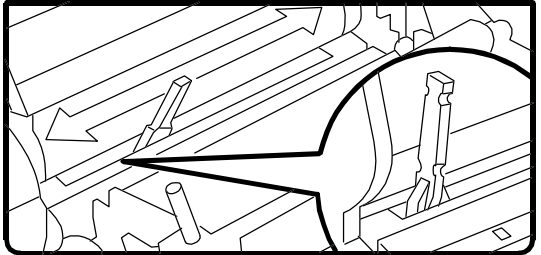
4



	A3 A6 B4 B6 ハガキ 11x17 8½x14
	A4 A5 B5 8½x14 5½x8½ 7½x10½


>PS<

5

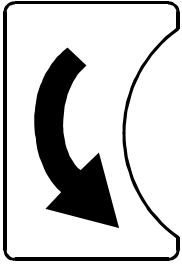



>PS<

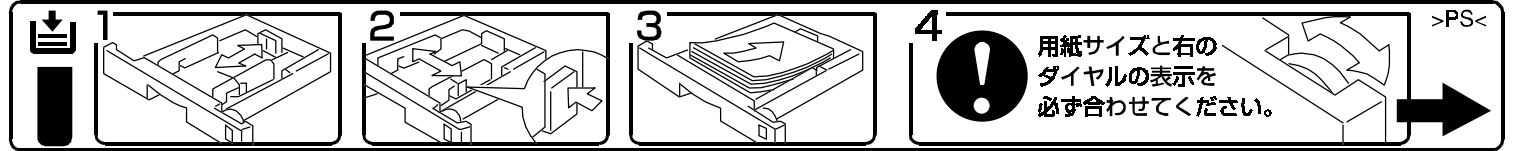
6



7



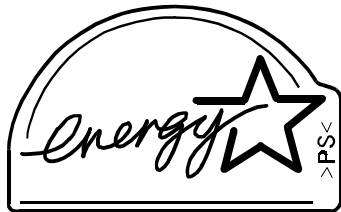
8



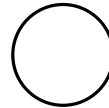
9



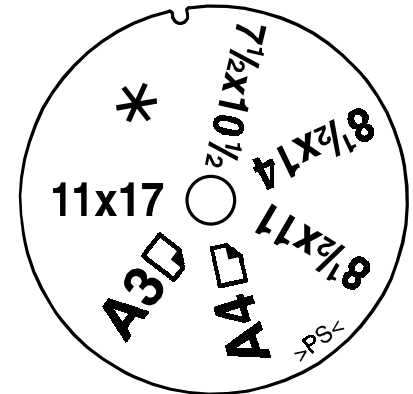
10



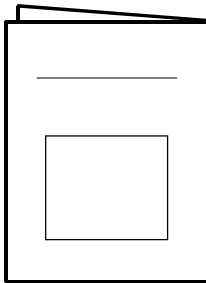
11



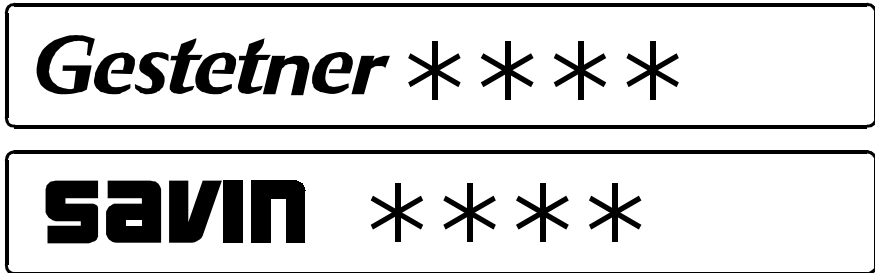
12



13



14



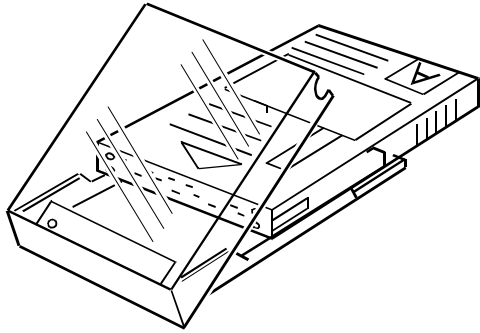
26.DECAL AND DOCUMENT (G024)

Index No.	Part No.	Description	Q'ty Per Assembly
1	G020 1917	Decal - LD	1
2	G020 1918	Decal - Laser Diode (230V)	1
3	G024 1539	Decal - DTM Operation	1
4	G024 1548	Decal - Paper	1
5	G024 1676	Decal - Cleaner	1
6	G024 1688	Decal - Positioning Display	1
7	G024 1690	Decal - Screw	1
8	G024 3059	Decal - Paper Set	1
9	G024 3292	Decal - Paper Size	1
10	H516 4095	Decal - Energystar	1
11	G024 6991	Display Decal - Cyan	1
11	G024 6992	Display Decal - Magenta	1
11	G024 6993	Display Decal - Yellow	1
11	G024 6994	Display Decal - Black	1
12	G908 3186	Decal - Paper Size Dial	1
13	G024 8607	Operating Instructions - Win US	1
13	G024 8650	Operating Instructions - Win SVN	1
13	G024 8697	Operating Instructions - Win GES	1
14	G533 6600	Brand Name Seal - Win SVN	1
14	G533 6610	Brand Name Seal - Win GES	1

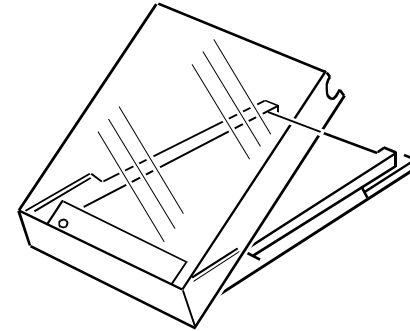
Index No.	Part No.	Description	Q'ty Per Assembly

27.SPECIAL TOOLS (G024)

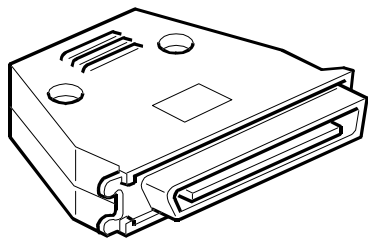
1



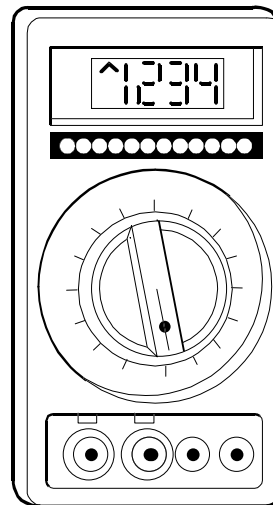
2



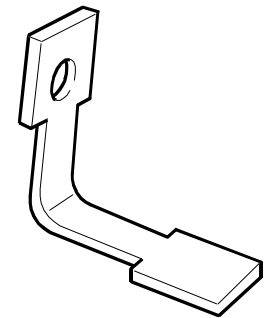
3



4



5



27.SPECIAL TOOLS (G024)

Index No.	Part No.	Description	Q'ty Per Assembly
1	A230 9352	Flash Memory Card - 4MB	1
2	A230 9351	Case - Flash Memory Card	1
3	G010 9350	Loopback Conector - P-RS3CNT	1
3	G021 9350	Loopback Conector - Parallel	1
4	5420 9507	Digital Multimeter - Beckman	1
5	G024 9310	Adjusting Plate	1

Index No.	Part No.	Description	Q'ty Per Assembly
-----------	----------	-------------	-------------------

PARTS INDEX

Part No.	Description	Page and Index No.
G024 1003	Ground Plate	47- 9
G024 1004	Left Guide Rail - Paper Tray	47- 10
G024 1005	Right Guide Rail - Paper Tray	47- 6
G024 1006	Guide Rail Stay	47- 7
G024 1007	Rubber Foot - 23mm	47- 8
G024 1022	Paper Feed Sensor Bracket	17- 13
G024 1057	Lock Lever	43- 21
G024 1059	Grounding Plate	45- 18
G024 1061	Left Bracket - Contact Point	43- 18
G024 1062	Contact Point Shaft	11- 3
G024 1063	Contact Point Collar	11- 2
G024 1064	Left Bracket - Spring Stopper	11- 12
G024 1065	Right Bracket - Contact Point	43- 27
G024 1066	Right Bracket - Spring Stopper	11- 30
G024 1067	Torsion Spring	11- 1
G024 1068	Torsion Spring	11- 4
G024 1072	Front Lowr Stay	43- 17
G024 1073	Support Stay - Front Lower	43- 8
G024 1095	Sensor Bracket	33- 13
G024 1141	Drive Shaft Bracket	43- 26
G024 1152	Terminal Plate	43- 12
G024 1153	Terminal Plate	43- 13
G024 1154	Terminal Grid	43- 15
G024 1155	Terminal Spring	43- 28
G024 1160	Seal - 36.5x50	43- 11
G024 1177	Switch Bracket	43- 10
G024 1188	Compression Spring	45- 9
G024 1191	Gear - 35Z/42Z	33- 15
G024 1192	Idle Gear - 53Z	33- 16
G024 1193	Idle Gear - 45Z	33- 14
G024 1194	Gear - 25Z/33Z	33- 9
G024 1195	Idle Gear - 37Z	33- 7
G024 1202	Idle Gear - 91Z	29- 28
G024 1225	Gear - 43Z/21Z	31- 25
G024 1226	Idle Gear - 29Z	31- 21

Part No.	Description	Page and Index No
G024 1229	Joint Gear - 27Z	41- 10
G024 1232	Compression Spring	41- 9
G024 1233	Development Joint Collar	41- 11
G024 1234	Spacer - 12.2x18x0.25	41- 8
G024 1235	Development Drive Solenoid - DC24V	31- 27
G024 1239	Bushing - 6x16mm	41- 7
G024 1242	Timing Pulley - 39Z/35Z/21Z	31- 16
G024 1243	Idle Gear - 34Z	31- 19
G024 1244	Idle Gear - 35Z	31- 20
G024 1246	Belt Tightener	31- 28
G024 1249	Tightner Roller	31- 15
G024 1250	Belt Tightener	29- 23
G024 1251	Drive Joint	41- 5
G024 1259	Tightener Spring	31- 29
G024 1261	Gear - 30Z/39Z	31- 7
G024 1264	Gear - 45Z	31- 8
G024 1267	Gear - 27Z	43- 9
G024 1286	Tightener Spring	29- 24
G024 1287	Gear - 25Z	45- 11
G024 1312	Drive Shaft	29- 6
G024 1313	Driven Shaft	29- 11
G024 1314	Parallel Pin	29- 5
G024 1315	Timing Belt - S1.5M 180	29- 16
G024 1318	Tightner Roller	29- 14
G024 1322	Tension Spring	29- 12
G024 1324	Cam Clutch	29- 7
G024 1329	Compression Spring	29- 8
G024 1339	Joint Release Arm	31- 12
G024 1341	Joint Release Bracket	31- 11
G024 1342	Joint Release Shaft	31- 10
G024 1347	Belt Tightner	29- 13
G024 1407	Control Borad Bracket	39- 1
G024 1414	Rear Lower Stay	39- 2
G024 1415	Power Supply Holder	37- 11
G024 1421	Fan Motor Duct	39- 12

Part No.	Description	Page and Index No.
G024 1422	Grounding Plate	45- 2
G024 1423	Fan Motor Cover	35- 8
G024 1424	Right Shielding Plate	35- 7
G024 1426	Main Switch Bracket	39- 7
G024 1427	Left Shielding Plate	35- 12
G024 1428	Rear Upper Stay	37- 1
G024 1429	Control Board Cover	35- 4
G024 1431	Switch Bracket	39- 4
G024 1434	Safety Switch Lever	39- 5
G024 1436	MCU Board holder	37- 18
G024 1437	Cooling Fan Duct	45- 3
G024 1438	Shielding Plate	39- 24
G024 1446	Sensor Holder	35- 3
G024 1465	Ozone Filter	5- 12
G024 1478	IC Card Support Plate	35- 11
G024 1503	Right Cover	5- 11
G024 1506	Oil Cover	5- 3
G024 1510	Duct Cover	5- 13
G024 1522	Upper Cover	5- 6
G024 1524	Left Cover	5- 4
G024 1527	Paper Exit Tray	5- 7
G024 1528	Upper Rear Cover	5- 8
G024 1529	Lower Rear Cover	5- 9
G024 1533	Brush	5- 16
G024 1534	DTM Cover	5- 2
G024 1538	Left Front Inner Cover	5- 15
G024 1539	Decal - DTM Operation	63- 3
G024 1539	Decal - DTM Operation	5- 1
G024 1542	Right Front Inner Cover	5- 14
G024 1543	Left Inner Cover - Frame	5- 17
G024 1544	Right Inner Cover - Frame	5- 10
G024 1548	Decal - Paper	63- 4
G024 1548	Decal - Paper	3- 18
G024 1550	Front Cover	3- 15
G024 1560	Inner Cover - Toner Hopper	39- 16

Part No.	Description	Page and Index No
G024 1563	Shielding Plate	35- 1
G024 1582	Cover - Inlet	47- 15
G024 1601	Shielding Plate	47- 11
G024 1621	Grounding Plate	11- 33
G024 1622	Spring	11- 32
G024 1641	Side Plate	47- 1
G024 1645	Oil Dumper	43- 19
G024 1651	Position Plate - Upper Left Front	45- 17
G024 1652	Position Plate - Lower Left	43- 20
G024 1655	Position Plate - Upper Right Front	45- 4
G024 1656	Position Plate - Lower Right	43- 22
G024 1671	Rear Stay	45- 1
G024 1675	Development Upper Cover	41- 12
G024 1676	Decal - Cleaner	41- 13
G024 1676	Decal - Cleaner	63- 5
G024 1681	PCU Left Guide	11- 19
G024 1682	PCU Right Guide	11- 28
G024 1684	PCU Stopper	11- 15
G024 1685	PCU Left Bracket	11- 17
G024 1686	PCU Right Bracket	11- 27
G024 1687	Stopper Spring	11- 16
G024 1688	Decal - Positioning Display	63- 6
G024 1688	Decal - Positioning Display	11- 18
G024 1689	Hexagonal Bolt - M3x19	11- 34
G024 1690	Decal - Screw	11- 35
G024 1690	Decal - Screw	63- 7
G024 1691	Spring Plate	43- 14
G024 1693	Development Cover Bracket	41- 6
G024 1695	Cover Bracket - Left Upper	41- 3
G024 1696	Cover Bracket - Front Left	41- 1
G024 1712	Gear - 84Z	29- 21
G024 1713	Gear - 84Z/84Z	29- 22
G024 1714	Pulley - 84Z/120Z	29- 17
G024 1716	Timing Belt - S1.5M 378	29- 30
G024 1719	Belt Tightener	29- 15

Part No.	Description	Page and Index No.
G024 1730	Drive Gear Bracket	29- 10
G024 1735	Upper Gear Holder	29- 18
G024 1736	Lower Gear Holder	29- 25
G024 1740	Joint Release Lever	31- 13
G024 1743	Compression Spring	31- 14
G024 1750	Fly Wheel - 118mm	29- 20
G024 1771	Bias Terminal	39- 14
G024 1772	Bias Terminal	39- 21
G024 1773	Bias Terminal	39- 22
G024 1774	DTM Lower Cover	41- 14
G024 1803	Gear - 93Z/29Z	45- 6
G024 1804	Gear - 49Z	45- 7
G024 1806	Gear - 42Z/21Z	45- 8
G024 1808	Tightner Gear Ass'y	45- 10
G024 1813	Gear - 17Z	45- 12
G024 1814	Gear Bracket	45- 5
G024 1815	Gear - 22Z/17Z	45- 15
G024 1819	Gear - 65Z	31- 30
G024 1820	Drive Relay Shaft	31- 22
G024 1824	Gear - 41Z	31- 23
G024 1825	Worm Wheel	29- 2
G024 1841	Timing Belt - B60S3M276	31- 17
G024 1845	Timing Belt - B60S3M354	31- 18
G024 1851	Solenoid Bracket	31- 24
G024 1862	Idle Gear - 50Z	31- 6
G024 1863	Idle Gear - 39Z	31- 5
G024 1865	Idle Gear - 20Z	31- 9
G024 1868	Lower Drive Shaft	43- 25
G024 1869	Gear - 18Z	43- 24
G024 1871	Revolver Motor - DC3.2V 2.7A	29- 4
G024 1877	Motor Bracket	29- 3
G024 1881	Belt Cleaning Solenoid	31- 26
G024 1884	Cleaning Blade Lever	45- 16
G024 1886	Fusing Drive Arm	45- 13
G024 1887	Gear Holder	29- 1

Part No.	Description	Page and Index No
G024 1889	Torsion Spring	45- 14
G024 1891	Transport Roller Shaft	31- 31
G024 1892	Transport Roller Gear	31- 1
G024 1893	Gear - 19Z	17- 17
G024 1894	Magnetic Clutch Bracket	31- 4
G024 1897	Bushing - 5.5x8mm	29- 31
G024 1899	Ball Bearing - 8mm	29- 9
G024 2755	Optical Unit	19- 1
G024 2761	LD Unit	19- 7
G024 2795	Optical Housing Cover	19- 14
G024 2801	Optical Houshing Cover	19- 4
G024 2821	Shielding Plate	19- 2
G024 2835	Positioning Pin	19- 11
G024 2843	Spring Plate - Polygon Motor	19- 9
G024 2862	Polygon Motor	19- 15
G024 2866	Dust Proof Glass	19- 3
G024 2867	Sync Detect Mirror	19- 13
G024 3010	Paper Feed Roller Shaft	17- 12
G024 3015	Grounding Plate	17- 22
G024 3022	Paper End Feeler	17- 14
G024 3055	Cassette	13- 3
G024 3059	Decal - Paper Set	13- 2
G024 3059	Decal - Paper Set	63- 8
G024 3060	Right Side Fence	13- 14
G024 3062	Left Side Fence	13- 9
G024 3064	End Fence	13- 13
G024 3068	Base Plate	13- 11
G024 3075	Tension Spring	13- 5
G024 3077	Spring Tube	13- 6
G024 3078	Pressure Spring	13- 8
G024 3084	Spring Plate Seal	13- 16
G024 3085	Spring Plate	13- 15
G024 3107	Registration Roller	9- 3
G024 3108	Registration Roller	9- 5
G024 3110	Upper Guide Plate Ass'y	9- 13

Part No.	Description	Page and Index No.
G024 3111	Upper Guide Plate	9- 2
G024 3112	Shield - Registration - Guide Plate	9- 27
G024 3114	Lower Guide Plate	9- 4
G024 3116	Registration Roller Spring - Driven	9- 24
G024 3120	Registration Brake Holder	7- 1
G024 3122	Bushing	9- 23
G024 3124	Grounding Plate	9- 26
G024 3143	Left Side Plate	11- 14
G024 3149	Left Bushing	11- 13
G024 3153	Right Side Plate	11- 29
G024 3163	Right Bushing	11- 31
G024 3167	Upper Stay	7- 4
G024 3169	Upper Stay 2	7- 7
G024 3171	Lower Stay	11- 9
G024 3172	Lower Guide Plate - Transport	11- 11
G024 3175	Upper Guide Plate	7- 5
G024 3178	Entrance Seal - Transport	7- 6
G024 3179	Un Lock Lever - Right	7- 9
G024 3181	Un Lock Button	7- 21
G024 3183	Button Spring	7- 24
G024 3184	Un Lock Holder	7- 19
G024 3185	Un Lock Shaft	7- 8
G024 3186	Left Lever	9- 17
G024 3187	Right Lever	9- 20
G024 3189	Tension Spring	9- 16
G024 3190	Tension Spring	7- 20
G024 3196	Magnetic Clutch Stopper	33- 6
G024 3206	Left Side Plate	15- 33
G024 3208	Left Holder - By-pass Feed	15- 6
G024 3212	Right Side Plate	15- 19
G024 3217	Right Holder - By-pass Feed	15- 18
G024 3219	Upper Stay	15- 26
G024 3221	Lower Stay	15- 8
G024 3224	Upper By-pass Feed Guide	15- 2
G024 3226	Guide Seal	15- 1

Part No.	Description	Page and Index No
G024 3227	Lower By-pass Feed Guide	15- 31
G024 3231	Support Guide Plate	15- 7
G024 3232	Pick-up Arm	15- 22
G024 3240	By-pass Feed Solenoid - DC24V	15- 29
G024 3244	Solenoid Bracket	15- 28
G024 3258	Feed Shaft	15- 21
G024 3262	Separation Drive Shaft	15- 17
G024 3266	Separation Driven Shaft	15- 12
G024 3272	Tension Spring	15- 30
G024 3274	Tension Spring	15- 27
G024 3282	By-pass Feed Table Ass'y	3- 1
G024 3284	By-pass Feed Table	3- 5
G024 3285	Left Side Fence	3- 2
G024 3286	Right Side Fence	3- 3
G024 3288	Paper Size Sensor Board	3- 9
G024 3290	Paper Size Sensor Actuator	3- 4
G024 3291	By-pass Table Stay	3- 8
G024 3292	Decal - Paper Size	3- 6
G024 3292	Decal - Paper Size	63- 9
G024 3295	By-pass Feed Cover	3- 13
G024 3296	By-pass Feed Sub Tray	3- 12
G024 3307	Guide Plate	11- 21
G024 3314	Transport Driven Roller	11- 22
G024 3315	Busing	11- 23
G024 3316	Tension Spring	11- 24
G024 3318	Transport Drive Roller	11- 7
G024 3321	Bias Terminal	11- 10
G024 3331	Paper Feed Guide	17- 5
G024 3334	Middle Drive Roller	17- 9
G024 3335	Compression Spring	17- 6
G024 3336	Front Lower Cover Ass'y (230V)	3- 20
G024 3337	Front Lower Cover	3- 14
G024 3338	Front Lower Cover Link	11- 5
G024 3339	Switch Bracket	17- 18
G024 3340	Torsion Spring	11- 6

Part No.	Description	Page and Index No.
G024 3341	Torsion Spring	11- 8
G024 3342	Clutch Cover	31- 3
G024 3344	Spring - 4MM	3- 21
G024 3351	Paper End Feeler	15- 3
G024 3354	Sensor Bracket	15- 4
G024 3360	Supporting Plate - Paper Guide Ass'y	17- 23
G024 3405	Guide Plate Ass'y	7- 14
G024 3661	Transfer Roller	9- 15
G024 3663	Transport Roller Bushing	9- 14
G024 3664	Bushing	9- 8
G024 3665	Holder Bracket - Transfer Roller	9- 7
G024 3666	Left Shaft	9- 6
G024 3667	Transport Timing Lever	9- 21
G024 3671	Cam Roller	33- 1
G024 3672	Pressure Spring	9- 10
G024 3673	Terminal Plate	9- 9
G024 3675	Spring Clutch Ass'y	33- 17
G024 3676	Clutch Bracket	33- 4
G024 3677	Clutch Shaft	33- 2
G024 3678	Timing Lever Roller	9- 22
G024 3684	Transfer Roller Holder	9- 12
G024 3688	Seal - 15x313	9- 25
G024 3702	Guide Plate Bracket	7- 15
G024 3703	Transfer Upper Terminal	7- 22
G024 3705	Discharge Brush - Transfer Roller	7- 18
G024 3707	Grounding Plate	7- 17
G024 3708	Rear Cover - Transport	7- 10
G024 3709	Fan Guard	7- 12
G024 3710	Ozone Filter	7- 11
G024 3711	Quenching Lamp Spacer	7- 23
G024 3716	Grounding Plate	11- 20
G024 3721	Quenching Lamp	43- 4
G024 3722	Quenching Lamp Bracket	43- 3
G024 3723	Quenching Lamp Seal	43- 1
G024 3724	Seal - 7x15x15	43- 5

Part No.	Description	Page and Index No
G024 3731	Positioning Sensor Bracket	9- 18
G024 3998	Toner End Sensor	39- 19
G024 4308	Terminal Plate	9- 11
G024 4315	Release Lever - PCU Shutter	43- 23
G024 4517	Fusing Unit Ass'y - 120V	21- 12
G024 4527	Fusing Unit Ass'y - 220V	21- 12
G024 4600	Hot Roller	27- 15
G024 4602	Ball Bearing - 20x37x9	27- 14
G024 4603	Gear - 45Z	27- 16
G024 4610	Pressure Roller	27- 12
G024 4612	Ball Bearing - 20x37x9	27- 11
G024 4613	Gear - 46Z	27- 13
G024 4614	Right Side Plate	27- 23
G024 4615	Left Side Plate	27- 10
G024 4626	Harness Guide	25- 4
G024 4628	Lower Stay	27- 2
G024 4631	Upper Stay	25- 11
G024 4633	Edging - EO-12N 11MM	27- 1
G024 4640	Fusing Entrance Guide - Lower	21- 2
G024 4644	Fusing Entrance Guide Plate - Upper	21- 3
G024 4647	Oil Supply Stay	23- 1
G024 4651	Oil Supply Frame	23- 9
G024 4653	Spring Plate	23- 7
G024 4655	Oil Reservoir	23- 11
G024 4660	Right Pressure Lever	27- 6
G024 4661	Left Pressure Lever	27- 4
G024 4664	Oil Pad	23- 2
G024 4668	Oil Supply Pad	23- 6
G024 4669	Fusing Cover	21- 4
G024 4672	Scraper Stay	27- 20
G024 4673	Cleaning Roller Scraper	27- 19
G024 4674	Scraper Holder	27- 18
G024 4680	Left Heater Holder	25- 6
G024 4682	Hot Roller Thermistor	25- 3
G024 4683	Pressure Roller Thermistor	25- 12

Part No.	Description	Page and Index No.
G024 4684	Fusing Unit Harness	25- 7
G024 4685	Hot roller Thermofuse - 167°C	25- 5
G024 4686	Pressure Roller Thermofuse - 167°C	25- 10
G024 4692	Right Heater Holder	25- 13
G024 4695	Sensor Bracket	25- 8
G024 4710	Exit Roller	21- 15
G024 4712	Fusing Unit Bracket	47- 3
G024 4720	Fusing Unit Stay	47- 2
G024 4727	Switch Bracket	39- 6
G024 4728	Connector Bracket	39- 8
G024 4740	Photointerruptor:Oil End Sensor	39- 3
G024 4750	Oil Supply Roller	23- 4
G024 4751	Oil Supply Sub Roller	23- 5
G024 4753	Gear - 25Z	27- 26
G024 4754	Fusing Knob	27- 28
G024 4757	Compression Spring	27- 5
G024 4758	Gear - 14Z	27- 25
G024 4759	Gear - 15Z	21- 18
G024 4760	Fusing Cleaning Roller	27- 3
G024 4761	Idle Gear - 30Z	27- 21
G024 4762	Idle Gear - 26Z	27- 29
G024 4763	Idle Gear - 19Z	27- 22
G024 4764	Cleaning Blade	23- 10
G024 4768	Torque Limiter	21- 17
G024 4769	Fusing Exit Frame	21- 10
G024 4772	Fusing Exit Guide	21- 21
G024 4773	Exit Roller Holder	21- 22
G024 4774	Paper Feed Sensor Feeler	21- 13
G024 4775	Sensor Feeler Holder	21- 11
G024 4777	Magnetic Catch	21- 8
G024 4784	Exit Cover	23- 3
G024 4785	Guide Roller	21- 23
G024 4788	Hot Roller Lamp - 120V 600W	25- 1
G024 4789	Pressure Roller Lamp - 120V 400W	25- 2
G024 4790	Hot Roller Lamp - 230V 600W	25- 1

Part No.	Description	Page and Index No
G024 4791	Pressure Roller Lamp - 230V 400W	25- 2
G024 4792	Magnetic Catch Seal	21- 7
G024 4796	Right Bracket - Paper Exit	21- 19
G024 4832	Fusing Unit Stopper - Front	47- 4
G024 4834	Fusing Unit Stopper - Rear	47- 5
G024 4837	Right Outer Sheet	27- 27
G024 4838	Right Sheet	27- 30
G024 4839	Left Outer Sheet	27- 7
G024 4850	Exit Guide Middle Mylar	21- 6
G024 4851	Exit Guide Outer Mylar	21- 5
G024 4855	Upper Stay Seal	25- 15
G024 4856	Left Guide Mylar	21- 25
G024 4857	Middle Guide Mylar	21- 26
G024 4858	Right Guide Mylar	21- 27
G024 4859	Exit Outer Mylar	23- 12
G024 4860	Entrance Guide Mylar	21- 24
G024 4868	Grounding Wire	47- 14
G024 4868	Grounding Wire	27- 32
G024 5055	DC Power Supply Unit - 120V	37- 3
G024 5056	DC Power Supply Board - 230V	37- 3
G024 5060	High Voltage Supply Board	37- 10
G024 5107	Harness:Polygon Motor	37- 2
G024 5110	LD Unit Harness	19- 8
G024 5111	DC Power Supply Harness	37- 4
G024 5112	Main Switch Harness	37- 5
G024 5113	Door Switch Harness	37- 20
G024 5114	Relay Harness	39- 10
G024 5117	High Voltage Harness	37- 9
G024 5118	Toner Sensor Harness	43- 6
G024 5119	Density Sensor Harness	11- 26
G024 5120	Paper Feed Unit Harness	47- 13
G024 5120	Paper Feed Unit Harness	37- 14
G024 5122	DTM Power Harness	37- 8
G024 5123	High Voltage Harness - Transfer	37- 7
G024 5124	High Voltage Harness - Charge	37- 6

Part No.	Description	Page and Index No.
G024 5124	High Voltage Harness - Charge	43- 16
G024 5125	AC Power Supply Harness	37- 15
G024 5128	Paper End Sensor Harness	17- 16
G024 5130	Right Main Harness	37- 13
G024 5131	Main Output Harness	37- 16
G024 5132	Main Input Harness	37- 12
G024 5141	Inlet	37- 19
G024 5313	Main Control Board	35- 10
G024 5330	Printer Control Board	61- *
G024 5360	Sync Detector Board	19- 12
G024 5373	MCU Board	55- *
G024 5373	MCU Board	37- 17
G024 5400	IC - TC203C220F002	55- 2
G024 5412	IC - FCI2.5C	61- 4
G024 5413	IC - UPD65848GN061	61- 5
G024 5415	IC - UPD30210-177	61- 1
G024 5420	Density Sensor	11- 25
G024 5421	Temp/Humidity Sensor - CHS-MSST-RC	35- 2
G024 5431	Filter - Mb-2012-150	55- 3
G024 5450	Main Motor - DC24V 40W	29- 29
G024 5451	PCU Motor - DC24V 6.5W	29- 27
G024 5456	Registration Clutch - 25NCM	33- 11
G024 5457	Paper Feed Clutch - 25NCM	17- 21
G024 5459	Transfer Roller Clutch - 49NCM	33- 3
G024 5460	By-pass Feed Clutch - 25NCM	33- 10
G024 5462	Pull-out Clutch - 25NCM	31- 2
G024 5613	Operation Panel Ass'y - 120V	3- 17
G024 5614	Operation Panel Ass'y - 230V	3- 17
G024 6844	Revolver Unit	41- 15
G024 6900	Bias Terminal	41- 25
G024 6901	Bias Terminal	41- 27
G024 6902	Bias Terminal	41- 26
G024 6904	Insulating Sheet	41- 28
G024 6905	Insulating Sheet	41- 22
G024 6906	Insulating Sheet	41- 23

Part No.	Description	Page and Index No
G024 6907	Insulating Sheet	41- 24
G024 6958	DTM Release Lever	41- 29
G024 6960	Release Lever Holder	41- 16
G024 6962	Spring	41- 17
G024 6973	Sensor Actuator	39- 15
G024 6974	Right Bearing Holder	41- 4
G024 6982	Toner End Sensor Bracket	39- 20
G024 6991	Display Decal - Cyan	41- 18
G024 6991	Display Decal - Cyan	63- 11
G024 6992	Display Decal - Magenta	41- 20
G024 6992	Display Decal - Magenta	63- 11
G024 6993	Display Decal - Yellow	41- 19
G024 6993	Display Decal - Yellow	63- 11
G024 6994	Display Decal - Black	41- 21
G024 6994	Display Decal - Black	63- 11
G024 8607	Operating Instructions - Win US	63- 13
G024 8650	Operating Instructions - Win SVN	63- 13
G024 8697	Operating Instructions - Win GES	63- 13
G024 9310	Adjusting Plate	65- 5

Part No.	Description	Page and Index No.
AA06 3068	Connector Spring	39- 9
AA06 3284	Spring	27- 9
AA06 3285	Spring	27- 24
AA06 3499	Pressure Spring	15- 14
AA06 6273	Spring	21- 14
AA08 0037	Bushing - 6mm	15- 13
AA08 3010	Clutch Roller - 6x14x10	15- 20
AA14 3025	Stepped Screw - M3	21- 1
AA14 3287	Stepped Screw - M3	7- 13
AA14 3396	Screw - M4X4	47- 12
AA14 3516	Stepped Screw - Max5	27- 17
AA14 3707	Stepped Screw - M5	27- 31
AB01 1343	Idle Gear - 23Z	15- 23
AB01 1344	Gear - 16Z	15- 15
AB01 1345	Gear - 20Z	15- 16
AB01 1346	Gear - 27Z	33- 8
AE03 1021	Bushing - 6mm	27- 8
AE03 1022	Bushing - 4mm	23- 8
AF03 0036	Pick-up Roller	15- 32
AF03 1025	Feed Roller	15- 25
AF03 2025	Separation Roller	15- 10
AW02 0056	Photointerruptor - EE-SX4235A-P1	17- 15
AW02 0056	Photointerruptor - EE-SX4235A-P1	33- 5
AW02 0056	Photointerruptor - EE-SX4235A-P1	39- 18
AW02 0056	Photointerruptor - EE-SX4235A-P1	15- 5
AW02 0086	Photointerruptor	25- 9
AW02 0086	Photointerruptor	33- 12
AW02 0086	Photointerruptor	39- 17
AW02 0110	Photointerruptor	17- 3
AW23 0009	Toner End Sensor	43- 2
AX64 0099	Fan Motor - DC24V 1.92W	35- 9
AX64 0099	Fan Motor - DC24V 1.92W	7- 16
AX64 0099	Fan Motor - DC24V 1.92W	39- 13
G010 9350	Loopback Conector - P-RS3CNT	65- 3
G011 3305	Gear - 16T	3- 7

Part No.	Description	Page and Index No
G020 1184	Flange - Fly Wheel	29- 19
G020 1189	Fly Wheel	29- 26
G020 1392	Screw - M3x8	35- 5
G020 1917	Decal - LD	63- 1
G020 1917	Decal - LD	19- 5
G020 1918	Decal - Laser Diode (230V)	63- 2
G020 1918	Decal - Laser Diode (230V)	19- 6
G020 5439	Harness - Polygon Mirror Motor	19- 10
G020 5626	Push Switch	43- 7
G021 5934	IC - LHMN5KN0	61- 2
G021 5935	IC - LHMN5KN1	61- 3
G021 9350	Loopback Conector - Parallel	65- 3
G024 1003	Ground Plate	47- 9
G024 1004	Left Guide Rail - Paper Tray	47- 10
G024 1005	Right Guide Rail - Paper Tray	47- 6
G024 1006	Guide Rail Stay	47- 7
G024 1007	Rubber Foot - 23mm	47- 8
G024 1022	Paper Feed Sensor Bracket	17- 13
G024 1057	Lock Lever	43- 21
G024 1059	Grounding Plate	45- 18
G024 1061	Left Bracket - Contact Point	43- 18
G024 1062	Contact Point Shaft	11- 3
G024 1063	Contact Point Collar	11- 2
G024 1064	Left Bracket - Spring Stopper	11- 12
G024 1065	Right Bracket - Contact Point	43- 27
G024 1066	Right Bracket - Spring Stopper	11- 30
G024 1067	Torsion Spring	11- 1
G024 1068	Torsion Spring	11- 4
G024 1072	Front Lowr Stay	43- 17
G024 1073	Support Stay - Front Lower	43- 8
G024 1095	Sensor Bracket	33- 13
G024 1141	Drive Shaft Bracket	43- 26
G024 1152	Terminal Plate	43- 12
G024 1153	Terminal Plate	43- 13
G024 1154	Terminal Grid	43- 15

Part No.	Description	Page and Index No.
G024 1155	Terminal Spring	43- 28
G024 1160	Seal - 36.5x50	43- 11
G024 1177	Switch Bracket	43- 10
G024 1188	Compression Spring	45- 9
G024 1191	Gear - 35Z/42Z	33- 15
G024 1192	Idle Gear - 53Z	33- 16
G024 1193	Idle Gear - 45Z	33- 14
G024 1194	Gear - 25Z/33Z	33- 9
G024 1195	Idel Gear - 37Z	33- 7
G024 1202	Idle Gear - 91Z	29- 28
G024 1225	Gear - 43Z/21Z	31- 25
G024 1226	Idle Gear - 29Z	31- 21
G024 1229	Joint Gear - 27Z	41- 10
G024 1232	Compression Spring	41- 9
G024 1233	Development Joint Collar	41- 11
G024 1234	Spacer - 12.2x18x0.25	41- 8
G024 1235	Development Drive Solenoid - DC24V	31- 27
G024 1239	Bushing - 6x16mm	41- 7
G024 1242	Timing Pulley - 39Z/35Z/21Z	31- 16
G024 1243	Idle Gear - 34Z	31- 19
G024 1244	Idle Gear - 35Z	31- 20
G024 1246	Belt Tightener	31- 28
G024 1249	Tightner Roller	31- 15
G024 1250	Belt Tightener	29- 23
G024 1251	Drive Joint	41- 5
G024 1259	Tightener Spring	31- 29
G024 1261	Gear - 30Z/39Z	31- 7
G024 1264	Gear - 45Z	31- 8
G024 1267	Gear - 27Z	43- 9
G024 1286	Tightener Spring	29- 24
G024 1287	Gear - 25Z	45- 11
G024 1312	Drive Shaft	29- 6
G024 1313	Driven Shaft	29- 11
G024 1314	Parallel Pin	29- 5
G024 1315	Timing Belt - S1.5M 180	29- 16

Part No.	Description	Page and Index No
G024 1318	Tightner Roller	29- 14
G024 1322	Tension Spring	29- 12
G024 1324	Cam Clutch	29- 7
G024 1329	Compression Spring	29- 8
G024 1339	Joint Release Arm	31- 12
G024 1341	Joint Release Bracket	31- 11
G024 1342	Joint Release Shaft	31- 10
G024 1347	Belt Tightner	29- 13
G024 1407	Control Borad Bracket	39- 1
G024 1414	Rear Lower Stay	39- 2
G024 1415	Power Supply Holder	37- 11
G024 1421	Fan Motor Duct	39- 12
G024 1422	Grounding Plate	45- 2
G024 1423	Fan Motor Cover	35- 8
G024 1424	Right Shielding Plate	35- 7
G024 1426	Main Switch Bracket	39- 7
G024 1427	Left Shielding Plate	35- 12
G024 1428	Rear Upper Stay	37- 1
G024 1429	Control Board Cover	35- 4
G024 1431	Switch Bracket	39- 4
G024 1434	Safety Switch Lever	39- 5
G024 1436	MCU Board holder	37- 18
G024 1437	Cooling Fan Duct	45- 3
G024 1438	Shielding Plate	39- 24
G024 1446	Sensor Holder	35- 3
G024 1465	Ozone Filter	5- 12
G024 1478	IC Card Support Plate	35- 11
G024 1503	Right Cover	5- 11
G024 1506	Oil Cover	5- 3
G024 1510	Duct Cover	5- 13
G024 1522	Upper Cover	5- 6
G024 1524	Left Cover	5- 4
G024 1527	Paper Exit Tray	5- 7
G024 1528	Upper Rear Cover	5- 8
G024 1529	Lower Rear Cover	5- 9

Part No.	Description	Page and Index No.
G024 1533	Brush	5- 16
G024 1534	DTM Cover	5- 2
G024 1538	Left Front Inner Cover	5- 15
G024 1539	Decal - DTM Operation	5- 1
G024 1539	Decal - DTM Operation	63- 3
G024 1542	Right Front Inner Cover	5- 14
G024 1543	Left Inner Cover - Frame	5- 17
G024 1544	Right Inner Cover - Frame	5- 10
G024 1548	Decal - Paper	63- 4
G024 1548	Decal - Paper	3- 18
G024 1550	Front Cover	3- 15
G024 1560	Inner Cover - Toner Hopper	39- 16
G024 1563	Shielding Plate	35- 1
G024 1582	Cover - Inlet	47- 15
G024 1601	Shielding Plate	47- 11
G024 1621	Grounding Plate	11- 33
G024 1622	Spring	11- 32
G024 1641	Side Plate	47- 1
G024 1645	Oil Dumper	43- 19
G024 1651	Position Plate - Upper Left Front	45- 17
G024 1652	Position Plate - Lower Left	43- 20
G024 1655	Position Plate - Upper Right Front	45- 4
G024 1656	Position Plate - Lower Right	43- 22
G024 1671	Rear Stay	45- 1
G024 1675	Development Upper Cover	41- 12
G024 1676	Decal - Cleaner	41- 13
G024 1676	Decal - Cleaner	63- 5
G024 1681	PCU Left Guide	11- 19
G024 1682	PCU Right Guide	11- 28
G024 1684	PCU Stopper	11- 15
G024 1685	PCU Left Bracket	11- 17
G024 1686	PCU Right Bracket	11- 27
G024 1687	Stopper Spring	11- 16
G024 1688	Decal - Positioning Display	63- 6
G024 1688	Decal - Positioning Display	11- 18

Part No.	Description	Page and Index No
G024 1689	Hexagonal Bolt - M3x19	11- 34
G024 1690	Decal - Screw	63- 7
G024 1690	Decal - Screw	11- 35
G024 1691	Spring Plate	43- 14
G024 1693	Development Cover Bracket	41- 6
G024 1695	Cover Bracket - Left Upper	41- 3
G024 1696	Cover Bracket - Front Left	41- 1
G024 1712	Gear - 84Z	29- 21
G024 1713	Gear - 84Z/84Z	29- 22
G024 1714	Pulley - 84Z/120Z	29- 17
G024 1716	Timing Belt - S1.5M 378	29- 30
G024 1719	Belt Tightener	29- 15
G024 1730	Drive Gear Bracket	29- 10
G024 1735	Upper Gear Holder	29- 18
G024 1736	Lower Gear Holder	29- 25
G024 1740	Joint Release Lever	31- 13
G024 1743	Compression Spring	31- 14
G024 1750	Fly Wheel - 118mm	29- 20
G024 1771	Bias Terminal	39- 14
G024 1772	Bias Terminal	39- 21
G024 1773	Bias Terminal	39- 22
G024 1774	DTM Lower Cover	41- 14
G024 1803	Gear - 93Z/29Z	45- 6
G024 1804	Gear - 49Z	45- 7
G024 1806	Gear - 42Z/21Z	45- 8
G024 1808	Tightner Gear Ass'y	45- 10
G024 1813	Gear - 17Z	45- 12
G024 1814	Gear Bracket	45- 5
G024 1815	Gear - 22Z/17Z	45- 15
G024 1819	Gear - 65Z	31- 30
G024 1820	Drive Relay Shaft	31- 22
G024 1824	Gear - 41Z	31- 23
G024 1825	Worm Wheel	29- 2
G024 1841	Timing Belt - B60S3M276	31- 17
G024 1845	Timing Belt - B60S3M354	31- 18

Part No.	Description	Page and Index No.
G024 1851	Solenoid Bracket	31- 24
G024 1862	Idle Gear - 50Z	31- 6
G024 1863	Idle Gear - 39Z	31- 5
G024 1865	Idle Gear - 20Z	31- 9
G024 1868	Lower Drive Shaft	43- 25
G024 1869	Gear - 18Z	43- 24
G024 1871	Revolver Motor - DC3.2V 2.7A	29- 4
G024 1877	Motor Bracket	29- 3
G024 1881	Belt Cleaning Solenoid	31- 26
G024 1884	Cleaning Blade Lever	45- 16
G024 1886	Fusing Drive Arm	45- 13
G024 1887	Gear Holder	29- 1
G024 1889	Torsion Spring	45- 14
G024 1891	Transport Roller Shaft	31- 31
G024 1892	Transport Roller Gear	31- 1
G024 1893	Gear - 19Z	17- 17
G024 1894	Magnetic Clutch Bracket	31- 4
G024 1897	Bushing - 5.5x8mm	29- 31
G024 1899	Ball Bearing - 8mm	29- 9
G024 2755	Optical Unit	19- 1
G024 2761	LD Unit	19- 7
G024 2795	Optical Housing Cover	19- 14
G024 2801	Optical Houshing Cover	19- 4
G024 2821	Shielding Plate	19- 2
G024 2835	Positioning Pin	19- 11
G024 2843	Spring Plate - Polygon Motor	19- 9
G024 2862	Polygon Motor	19- 15
G024 2866	Dust Proof Glass	19- 3
G024 2867	Sync Detect Mirror	19- 13
G024 3010	Paper Feed Roller Shaft	17- 12
G024 3015	Grounding Plate	17- 22
G024 3022	Paper End Feeler	17- 14
G024 3055	Cassette	13- 3
G024 3059	Decal - Paper Set	63- 8
G024 3059	Decal - Paper Set	13- 2

Part No.	Description	Page and Index No
G024 3060	Right Side Fence	13- 14
G024 3062	Left Side Fence	13- 9
G024 3064	End Fence	13- 13
G024 3068	Base Plate	13- 11
G024 3075	Tension Spring	13- 5
G024 3077	Spring Tube	13- 6
G024 3078	Pressure Spring	13- 8
G024 3084	Spring Plate Seal	13- 16
G024 3085	Spring Plate	13- 15
G024 3107	Registration Roller	9- 3
G024 3108	Registration Roller	9- 5
G024 3110	Upper Guide Plate Ass'y	9- 13
G024 3111	Upper Guide Plate	9- 2
G024 3112	Shield - Registration - Guide Plate	9- 27
G024 3114	Lower Guide Plate	9- 4
G024 3116	Registration Roller Spring - Driven	9- 24
G024 3120	Registration Brake Holder	7- 1
G024 3122	Bushing	9- 23
G024 3124	Grounding Plate	9- 26
G024 3143	Left Side Plate	11- 14
G024 3149	Left Bushing	11- 13
G024 3153	Right Side Plate	11- 29
G024 3163	Right Bushing	11- 31
G024 3167	Upper Stay	7- 4
G024 3169	Upper Stay 2	7- 7
G024 3171	Lower Stay	11- 9
G024 3172	Lower Guide Plate - Transport	11- 11
G024 3175	Upper Guide Plate	7- 5
G024 3178	Entrance Seal - Transport	7- 6
G024 3179	Un Lock Lever - Right	7- 9
G024 3181	Un Lock Button	7- 21
G024 3183	Button Spring	7- 24
G024 3184	Un Lock Holder	7- 19
G024 3185	Un Lock Shaft	7- 8
G024 3186	Left Lever	9- 17

Part No.	Description	Page and Index No.
G024 3187	Right Lever	9- 20
G024 3189	Tension Spring	9- 16
G024 3190	Tension Spring	7- 20
G024 3196	Magnetic Clutch Stopper	33- 6
G024 3206	Left Side Plate	15- 33
G024 3208	Left Holder - By-pass Feed	15- 6
G024 3212	Right Side Plate	15- 19
G024 3217	Right Holder - By-pass Feed	15- 18
G024 3219	Upper Stay	15- 26
G024 3221	Lower Stay	15- 8
G024 3224	Upper By-pass Feed Guide	15- 2
G024 3226	Guide Seal	15- 1
G024 3227	Lower By-pass Feed Guide	15- 31
G024 3231	Support Guide Plate	15- 7
G024 3232	Pick-up Arm	15- 22
G024 3240	By-pass Feed Solenoid - DC24V	15- 29
G024 3244	Solenoid Bracket	15- 28
G024 3258	Feed Shaft	15- 21
G024 3262	Separation Drive Shaft	15- 17
G024 3266	Separation Driven Shaft	15- 12
G024 3272	Tension Spring	15- 30
G024 3274	Tension Spring	15- 27
G024 3282	By-pass Feed Table Ass'y	3- 1
G024 3284	By-pass Feed Table	3- 5
G024 3285	Left Side Fence	3- 2
G024 3286	Right Side Fence	3- 3
G024 3288	Paper Size Sensor Board	3- 9
G024 3290	Paper Size Sensor Actuator	3- 4
G024 3291	By-pass Table Stay	3- 8
G024 3292	Decal - Paper Size	3- 6
G024 3292	Decal - Paper Size	63- 9
G024 3295	By-pass Feed Cover	3- 13
G024 3296	By-pass Feed Sub Tray	3- 12
G024 3307	Guide Plate	11- 21
G024 3314	Transport Driven Roller	11- 22

Part No.	Description	Page and Index No
G024 3315	Busing	11- 23
G024 3316	Tension Spring	11- 24
G024 3318	Transport Drive Roller	11- 7
G024 3321	Bias Terminal	11- 10
G024 3331	Paper Feed Guide	17- 5
G024 3334	Middle Drive Roller	17- 9
G024 3335	Compression Spring	17- 6
G024 3336	Front Lower Cover Ass'y (230V)	3- 20
G024 3337	Front Lower Cover	3- 14
G024 3338	Front Lower Cover Link	11- 5
G024 3339	Switch Bracket	17- 18
G024 3340	Torsion Spring	11- 6
G024 3341	Torsion Spring	11- 8
G024 3342	Clutch Cover	31- 3
G024 3344	Spring - 4MM	3- 21
G024 3351	Paper End Feeler	15- 3
G024 3354	Sensor Bracket	15- 4
G024 3360	Supporting Plate - Paper Guide Ass'y	17- 23
G024 3405	Guide Plate Ass'y	7- 14
G024 3661	Transfer Roller	9- 15
G024 3663	Transport Roller Bushing	9- 14
G024 3664	Bushing	9- 8
G024 3665	Holder Bracket - Transfer Roller	9- 7
G024 3666	Left Shaft	9- 6
G024 3667	Transport Timing Lever	9- 21
G024 3671	Cam Roller	33- 1
G024 3672	Pressure Spring	9- 10
G024 3673	Terminal Plate	9- 9
G024 3675	Spring Clutch Ass'y	33- 17
G024 3676	Clutch Bracket	33- 4
G024 3677	Clutch Shaft	33- 2
G024 3678	Timing Lever Roller	9- 22
G024 3684	Transfer Roller Holder	9- 12
G024 3688	Seal - 15x313	9- 25
G024 3702	Guide Plate Bracket	7- 15

Part No.	Description	Page and Index No.
G024 3703	Transfer Upper Terminal	7- 22
G024 3705	Discharge Brush - Transfer Roller	7- 18
G024 3707	Grounding Plate	7- 17
G024 3708	Rear Cover - Transport	7- 10
G024 3709	Fan Guard	7- 12
G024 3710	Ozone Filter	7- 11
G024 3711	Quenching Lamp Spacer	7- 23
G024 3716	Grounding Plate	11- 20
G024 3721	Quenching Lamp	43- 4
G024 3722	Quenching Lamp Bracket	43- 3
G024 3723	Quenching Lamp Seal	43- 1
G024 3724	Seal - 7x15x15	43- 5
G024 3731	Positioning Sensor Bracket	9- 18
G024 3998	Toner End Sensor	39- 19
G024 4308	Terminal Plate	9- 11
G024 4315	Release Lever - PCU Shutter	43- 23
G024 4517	Fusing Unit Ass'y - 120V	21- 12
G024 4527	Fusing Unit Ass'y - 220V	21- 12
G024 4600	Hot Roller	27- 15
G024 4602	Ball Bearing - 20x37x9	27- 14
G024 4603	Gear - 45Z	27- 16
G024 4610	Pressure Roller	27- 12
G024 4612	Ball Bearing - 20x37x9	27- 11
G024 4613	Gear - 46Z	27- 13
G024 4614	Right Side Plate	27- 23
G024 4615	Left Side Plate	27- 10
G024 4626	Harness Guide	25- 4
G024 4628	Lower Stay	27- 2
G024 4631	Upper Stay	25- 11
G024 4633	Edging - EO-12N 11MM	27- 1
G024 4640	Fusing Entrance Guide - Lower	21- 2
G024 4644	Fusing Entrance Guide Plate - Upper	21- 3
G024 4647	Oil Supply Stay	23- 1
G024 4651	Oil Supply Frame	23- 9
G024 4653	Spring Plate	23- 7

Part No.	Description	Page and Index No
G024 4655	Oil Reservoir	23- 11
G024 4660	Right Pressure Lever	27- 6
G024 4661	Left Pressure Lever	27- 4
G024 4664	Oil Pad	23- 2
G024 4668	Oil Supply Pad	23- 6
G024 4669	Fusing Cover	21- 4
G024 4672	Scraper Stay	27- 20
G024 4673	Cleaning Roller Scraper	27- 19
G024 4674	Scraper Holder	27- 18
G024 4680	Left Heater Holder	25- 6
G024 4682	Hot Roller Thermistor	25- 3
G024 4683	Pressure Roller Thermistor	25- 12
G024 4684	Fusing Unit Harness	25- 7
G024 4685	Hot roller Thermofuse - 167°C	25- 5
G024 4686	Pressure Roller Thermofuse - 167°C	25- 10
G024 4692	Right Heater Holder	25- 13
G024 4695	Sensor Bracket	25- 8
G024 4710	Exit Roller	21- 15
G024 4712	Fusing Unit Bracket	47- 3
G024 4720	Fusing Unit Stay	47- 2
G024 4727	Switch Bracket	39- 6
G024 4728	Connector Bracket	39- 8
G024 4740	Photointerruptor:Oil End Sensor	39- 3
G024 4750	Oil Supply Roller	23- 4
G024 4751	Oil Supply Sub Roller	23- 5
G024 4753	Gear - 25Z	27- 26
G024 4754	Fusing Knob	27- 28
G024 4757	Compression Spring	27- 5
G024 4758	Gear - 14Z	27- 25
G024 4759	Gear - 15Z	21- 18
G024 4760	Fusing Cleaning Roller	27- 3
G024 4761	Idle Gear - 30Z	27- 21
G024 4762	Idle Gear - 26Z	27- 29
G024 4763	Idle Gear - 19Z	27- 22
G024 4764	Cleaning Blade	23- 10

Part No.	Description	Page and Index No.
G024 4768	Torque Limiter	21- 17
G024 4769	Fusing Exit Frame	21- 10
G024 4772	Fusing Exit Guide	21- 21
G024 4773	Exit Roller Holder	21- 22
G024 4774	Paper Feed Sensor Feeler	21- 13
G024 4775	Sensor Feeler Holder	21- 11
G024 4777	Magnetic Catch	21- 8
G024 4784	Exit Cover	23- 3
G024 4785	Guide Roller	21- 23
G024 4788	Hot Roller Lamp - 120V 600W	25- 1
G024 4789	Pressure Roller Lamp - 120V 400W	25- 2
G024 4790	Hot Roller Lamp - 230V 600W	25- 1
G024 4791	Pressure Roller Lamp - 230V 400W	25- 2
G024 4792	Magnetic Catch Seal	21- 7
G024 4796	Right Bracket - Paper Exit	21- 19
G024 4832	Fusing Unit Stopper - Front	47- 4
G024 4834	Fusing Unit Stopper - Rear	47- 5
G024 4837	Right Outer Sheet	27- 27
G024 4838	Right Sheet	27- 30
G024 4839	Left Outer Sheet	27- 7
G024 4850	Exit Guide Middle Mylar	21- 6
G024 4851	Exit Guide Outer Mylar	21- 5
G024 4855	Upper Stay Seal	25- 15
G024 4856	Left Guide Mylar	21- 25
G024 4857	Middle Guide Mylar	21- 26
G024 4858	Right Guide Mylar	21- 27
G024 4859	Exit Outer Mylar	23- 12
G024 4860	Entrance Guide Mylar	21- 24
G024 4868	Grounding Wire	47- 14
G024 4868	Grounding Wire	27- 32
G024 5055	DC Power Supply Unit - 120V	37- 3
G024 5056	DC Power Supply Board - 230V	37- 3
G024 5060	High Voltage Supply Board	37- 10
G024 5107	Harness:Polygon Motor	37- 2
G024 5110	LD Unit Harness	19- 8

Part No.	Description	Page and Index No
G024 5111	DC Power Supply Harness	37- 4
G024 5112	Main Switch Harness	37- 5
G024 5113	Door Switch Harness	37- 20
G024 5114	Relay Harness	39- 10
G024 5117	High Voltage Harness	37- 9
G024 5118	Toner Sensor Harness	43- 6
G024 5119	Density Sensor Harness	11- 26
G024 5120	Paper Feed Unit Harness	37- 14
G024 5120	Paper Feed Unit Harness	47- 13
G024 5122	DTM Power Harness	37- 8
G024 5123	High Voltage Harness - Transfer	37- 7
G024 5124	High Voltage Harness - Charge	37- 6
G024 5124	High Voltage Harness - Charge	43- 16
G024 5125	AC Power Supply Harness	37- 15
G024 5128	Paper End Sensor Harness	17- 16
G024 5130	Right Main Harness	37- 13
G024 5131	Main Output Harness	37- 16
G024 5132	Main Input Harness	37- 12
G024 5141	Inlet	37- 19
G024 5313	Main Control Board	35- 10
G024 5330	Printer Control Board	61- *
G024 5360	Sync Detector Board	19- 12
G024 5373	MCU Board	55- *
G024 5373	MCU Board	37- 17
G024 5400	IC - TC203C220F002	55- 2
G024 5412	IC - FCI2.5C	61- 4
G024 5413	IC - UPD65848GN061	61- 5
G024 5415	IC - UPD30210-177	61- 1
G024 5420	Density Sensor	11- 25
G024 5421	Temp/Humidity Sensor - CHS-MSST-RC	35- 2
G024 5431	Filter - Mb-2012-150	55- 3
G024 5450	Main Motor - DC24V 40W	29- 29
G024 5451	PCU Motor - DC24V 6.5W	29- 27
G024 5456	Registration Clutch - 25NCM	33- 11
G024 5457	Paper Feed Clutch - 25NCM	17- 21

Part No.	Description	Page and Index No.
G024 5459	Transfer Roller Clutch - 49NLM	33- 3
G024 5460	By-pass Feed Clutch - 25NCM	33- 10
G024 5462	Pull-out Clutch - 25NLM	31- 2
G024 5613	Operation Panel Ass'y - 120V	3- 17
G024 5614	Operation Panel Ass'y - 230V	3- 17
G024 6844	Revolver Unit	41- 15
G024 6900	Bias Terminal	41- 25
G024 6901	Bias Terminal	41- 27
G024 6902	Bias Terminal	41- 26
G024 6904	Insulating Sheet	41- 28
G024 6905	Insulating Sheet	41- 22
G024 6906	Insulating Sheet	41- 23
G024 6907	Insulating Sheet	41- 24
G024 6958	DTM Release Lever	41- 29
G024 6960	Release Lever Holder	41- 16
G024 6962	Spring	41- 17
G024 6973	Sensor Actuator	39- 15
G024 6974	Right Bearing Holder	41- 4
G024 6982	Toner End Sensor Bracket	39- 20
G024 6991	Display Decal - Cyan	41- 18
G024 6991	Display Decal - Cyan	63- 11
G024 6992	Display Decal - Magenta	63- 11
G024 6992	Display Decal - Magenta	41- 20
G024 6993	Display Decal - Yellow	63- 11
G024 6993	Display Decal - Yellow	41- 19
G024 6994	Display Decal - Black	63- 11
G024 6994	Display Decal - Black	41- 21
G024 8607	Operating Instructions - Win US	63- 13
G024 8650	Operating Instructions - Win SVN	63- 13
G024 8697	Operating Instructions - Win GES	63- 13
G024 9310	Adjusting Plate	65- 5
G533 6600	Brand Name Seal - Win SVN	63- 14
G533 6610	Brand Name Seal - Win GES	63- 14
G800 1175	Board Cover	35- 6
G800 1523	IC Card Cover	5- 5

Part No.	Description	Page and Index No
G800 3011	Paper Feed Roller	17- 1
G800 3015	Bushing	17- 10
G800 3017	Bushing	17- 4
G800 3021	Completion Spring	17- 11
G800 3035	Push SW - Paper Size	17- 19
G800 3053	Bushing	7- 3
G800 3055	Completion Spring	7- 2
G800 3129	Cassette Arm	13- 4
G800 3133	Side Fence Gear	13- 12
G800 3140	Friction Pad	13- 7
G800 3149	Base Pad	13- 10
G800 3332	Driven Roller	17- 8
G800 3333	Bushing - M4	17- 7
G800 5611	Safety Switch - 200V 16A	39- 23
G800 8112	Power Supply Cord (120V)	37- 21
G908 3184	Paper Size Dial Ass'y	13- 17
G908 3186	Decal - Paper Size Dial	13- 1
G908 3186	Decal - Paper Size Dial	63- 12
GW01 0006	Photorelector - GP2A69	9- 1
H053 1600	Bushing - 6mm	21- 9
H060 2126	Bushing - M6x7	15- 24
H516 4095	Decal - Energystar	3- 19
H516 4095	Decal - Energystar	63- 10
H521 3355	C Ring - Paper Feed Roller	15- 9
H521 3355	C Ring - Paper Feed Roller	3- 10

Part No.	Description	Page and Index No.
A109 6425	Brush Roller Spacer	17- 20
A134 2674	Torque Limiter - 400fg	15- 11
A153 6423	Support Cover	3- 16
A166 5421	Transfer Belt Sensor	9- 19
A190 2702	Paper Guide	3- 11
A204 4074	Terminal Connector - 2p	25- 14
A222 5267	IC - GAVD	55- 1
A230 9351	Case - Flash Memory Card	65- 2
A230 9352	Flash Memory Card - 4MB	65- 1
A232 3552	Ball Bearing - 8x22x7	41- 2
A470 1704	Spring - Lower Exit Roller	21- 16

Part No.	Description	Page and Index No
5206 2686	Snap Ring	21- 20
5420 9507	Digital Multimeter - Beckman	65- 4
5443 2668	Bushing - 4x6x7mm	17- 2
5446 5832	Connector Guide Pin	39- 11
5447 2927	Friction Pad - B	15- 34

Part No.	Description	Page and Index No.
0312 5080B	Screw - M2.5x8	35-104
0313 0040B	Philips Pan Head Screw - M3x4	15-102
0314 0100B	Philips Pan Head Screw - M4x10	29-110
0353 0040B	Screw - M3X4	43-104
0353 0060B	Philips Pan Head Screw - M3x6	43-101
0353 0060B	Philips Pan Head Screw - M3x6	11-106
0353 0060B	Philips Pan Head Screw - M3x6	21-101
0353 0060B	Philips Pan Head Screw - M3x6	45-103
0353 0060B	Philips Pan Head Screw - M3x6	31-103
0353 0060B	Philips Pan Head Screw - M3x6	23-102
0353 0060B	Philips Pan Head Screw - M3x6	41-107
0353 0060B	Philips Pan Head Screw - M3x6	27-101
0353 0060B	Philips Pan Head Screw - M3x6	25-102
0353 0060Z	Screw - M3X6	5-101
0353 0060Z	Screw - M3X6	35-102
0353 0060Z	Screw - M3X6	3-102
0353 0080B	Screw - M3X8	25-101
0353 0100B	Screw - M3x10	29-102
0353 0140B	Bind Screw - M3x14	29-103
0353 0140B	Bind Screw - M3x14	39-104
0353 0350B	Bind Screw - M3x35	39-102
0450 3006B	Tapping Screw - M3x6	23-101
0450 3006B	Tapping Screw - M3x6	13-101
0450 3008B	Tapping Screw - M3x8	19-102
0450 3008B	Tapping Screw - M3x8	47-107
0450 3008B	Tapping Screw - M3x8	17-102
0450 3008B	Tapping Screw - M3x8	41-106
0450 3012B	Tapping Screw -3x12	9-101
0450 3014B	Tapping Screw - M3x14	25-103
0450 4008B	Tapping Screw - 4x8	17-103
0450 4008B	Tapping Screw - 4x8	47-108
0450 4030B	Tapping Screw - M4x30	39-107
0451 3006B	Tapping Screw - M3x6	9-105
0451 3006B	Tapping Screw - M3x6	29-101
0451 3006B	Tapping Screw - M3x6	31-102

Part No.	Description	Page and Index No
0451 3006B	Tapping Screw - M3x6	47-104
0451 3006B	Tapping Screw - M3x6	35-101
0451 3006B	Tapping Screw - M3x6	33-101
0451 3006B	Tapping Screw - M3x6	37-101
0451 3006B	Tapping Screw - M3x6	45-102
0451 3006B	Tapping Screw - M3x6	43-102
0451 3006B	Tapping Screw - M3x6	39-103
0451 3006B	Tapping Screw - M3x6	7-101
0451 3006B	Tapping Screw - M3x6	5-102
0451 3006B	Tapping Screw - M3x6	41-105
0451 3006B	Tapping Screw - M3x6	15-101
0451 3006B	Tapping Screw - M3x6	11-105
0451 3008B	Tapping Screw - M3x8	9-102
0451 4006B	Tapping Screw - 4x6	43-103
0451 4006B	Tapping Screw - 4x6	47-101
0451 4006B	Tapping Screw - 4x6	17-106
0451 4006B	Tapping Screw - 4x6	45-101
0451 4010B	Tapping Screw - 4x10	19-101
0451 4030B	Philips Tapping Screw - M4x30	35-103
0452 3006B	Tapping Screw - M3x6	43-109
0452 3006B	Tapping Screw - M3x6	3-101
0452 3006B	Tapping Screw - M3x6	21-102
0452 3006B	Tapping Screw - M3x6	13-102
0452 3006B	Tapping Screw - M3x6	11-104
0452 3008B	Tapping Screw - M3x8	7-102
0452 3010B	Tapping Bind Screw - M3x10	19-103
0452 4008B	Binding Self Tapping Screw - M4x8	47-102
0452 4030B	Tapping Bind Screw - M4x30	7-103
0453 3006B	Tapping Screw - M3x6	15-103
0573 0040W	Hexagon Headless Set Screw - M3x4	29-107
0574 0050E	Hexagon Headless Set Screw - M4x5	29-106
0593 0060W	Hexagon Bolt - M3x6	41-110
0622 0100E	Spring Pin - 2x10mm	15-104
0708 0050B	Washer - M5	27-107
0720 0020B	Retaining Ring - M2	31-101

Part No.	Description	Page and Index No.
0720 0040B	Retaining Ring - M4	15-105
0720 0040B	Retaining Ring - M4	7-106
0720 0040B	Retaining Ring - M4	33-105
0720 0040B	Retaining Ring - M4	39-105
0720 0040B	Retaining Ring - M4	45-107
0720 0040B	Retaining Ring - M4	43-108
0720 0040B	Retaining Ring - M4	17-101
0720 0040B	Retaining Ring - M4	31-107
0720 0040B	Retaining Ring - M4	11-102
0720 0040B	Retaining Ring - M4	23-104
0720 0040B	Retaining Ring - M4	29-105
0720 0040B	Retaining Ring - M4	9-103
0720 0040B	Retaining Ring - M4	27-104
0720 0060B	Retaining Ring - M6	31-106
0720 0060B	Retaining Ring - M6	47-103
0720 0060B	Retaining Ring - M6	21-103
0720 0060B	Retaining Ring - M6	41-108
0720 0060B	Retaining Ring - M6	29-104
0725 0200E	Retaining Ring C - M20	27-103
0727 0080E	Retaining Ring - M8	27-102
0741 3508	Bushing - 8x14x4mm	31-110
0741 3808	Ball Bearing - 8x16x5	41-109
0801 0149	Philips Pan Head Screw - M4x6	47-109
0801 0149	Philips Pan Head Screw - M4x6	27-106
0805 3270	Ball Bearing - 8x16x5mm	27-105
0805 3386	Bushing - 8mm	33-102
0805 3480	Bushing - 6mm	17-104
0805 3480	Bushing - 6mm	31-105
0805 3480	Bushing - 6mm	43-107
0805 3480	Bushing - 6mm	15-106
0805 3480	Bushing - 6mm	11-101
0805 3480	Bushing - 6mm	9-104
0807 2034	Washer - M3.5	23-103
0807 4072	Washer - Core	21-104
0951 3006B	Philips Screw Whth Flat Washer - M3x6	29-109

Part No.	Description	Page and Index No
0951 4030B	Screw - M4x30	29-108
1101 0328	Connector Pin Contact	55-101
1102 4207	Connector - 8P	55-102
1102 4210	Connector - 11P	55-103
1102 4212	CT Header - 15P	55-104
1102 5080	Connector - 5566-08A 8P	55-105
1102 5410	Connector - 22P	55-106
1102 5894	Connector - 68P	61-101
1102 6299	Connector - 6P	55-107
1102 6300	Connector - 7P	55-108
1102 6302	Connector - 9P	55-109
1102 6303	Connector - 10P	55-110
1102 6313	Connector - 6P	55-111
1102 6396	Connector - 1P	55-112
1102 6398	Connector - 2P	55-113
1102 6399	Connector - 22P	55-114
1102 6400	Connector - 24P	55-115
1102 6402	Connector - 2P	55-116
1102 6507	Connector - 36P	61-102
1102 6524	Simm Socket - 72p	61-103
1102 6534	Connector - IMSA-9210B-1-02-GF	55-117
1102 7132	Card Slot - 68p	55-118
1102 7358	Connector - 80P	61-104
1102 7553	Connector Sx1ba-72s-0.635sh	61-105
1102 7773	Connector - TX24-80R-LT-H1	55-119
1102 7778	Connector - TX25-80P-12ST-	61-106
1102 8055	Connector - 5566-06A	55-120
1102 8080	Connector - DF11-6DP-2DS	55-121
1102 8096	Connector - DF11-24DP-2DSA	55-122
1102 8097	Connector - DF11-26DP-2DSA	55-123
1104 0378	IC Socket - 24p - DDCF-24CS-E	61-107
1104 0588	Dip Socket - 28p	55-124
1105 0199	Clamp	45-106
1105 0199	Clamp	33-104
1105 0230	Clamp	41-103

Part No.	Description	Page and Index No.
1105 0230	Clamp	39-108
1105 0230	Clamp	7-105
1105 0230	Clamp	37-107
1105 0230	Clamp	11-103
1105 0230	Clamp	31-104
1105 0230	Clamp	33-103
1105 0230	Clamp	43-105
1105 0267	Harness Clamp - YMC-10-0	11-108
1105 0267	Harness Clamp - YMC-10-0	43-106
1105 0269	Wire Saddle	47-106
1105 0283	Clamp	17-105
1105 0283	Clamp	47-105
1105 0291	Harness Clamp - LWS-3S	11-110
1105 0291	Harness Clamp - LWS-3S	39-106
1105 0291	Harness Clamp - LWS-3S	31-109
1105 0291	Harness Clamp - LWS-3S	41-101
1105 0291	Harness Clamp - LWS-3S	37-105
1105 0322	Cord Bushing	11-107
1105 0322	Cord Bushing	39-109
1105 0322	Cord Bushing	45-105
1105 0322	Cord Bushing	37-106
1105 0413	Harness Clamp	45-104
1106 0411	Bushing - 11.5mm	11-109
1106 0411	Bushing - 11.5mm	7-104
1106 0430	Bushing - 13mm	41-102
1106 0459	Bushing - 20.2mm	7-107
1106 0459	Bushing - 20.2mm	41-104
1106 0459	Bushing - 20.2mm	31-108
1106 0459	Bushing - 20.2mm	9-106
1107 0622	Fuse - 3.15A 250V	37-103
1107 0880	Fuse - 6.3A 250V	37-104
1107 0887	Fuse - 15A 250V (120V)	37-104
1107 0895	Fuse - 6.3A (120V)	37-103
1204 1422	Dip Switch - 51d-0401	61-108
1204 2356	Micro Switch - AM51612A531	39-101

Part No.	Description	Page and Index No
1400 0591	Transistor - DTC113ZK	55-125
1400 0663	Transistor - 2SA1037AK	55-126
1400 0753	Transistor - DTC114VKA	55-127
1400 0773	Transistor - 2SC3906K	55-128
1400 0783	Transistor - TD62064AF	55-129
1401 0869	Transistor-array - TD62003F	55-130
1402 1142	Diode Array - DAN217	55-131
1402 1336	Diode - 1SS355	55-132
1402 1343	Diode - RB106L-40	61-109
1403 0313	Diode - TLR102A	55-133
1407 1596	TTLIC - SN74LS14NS	55-134
1407 1600	TTLIC - SN74LS244NS	61-110
1407 1600	TTLIC - SN74LS244NS	55-135
1407 1741	TTL - SN74LS32NS	55-136
1407 1746	TTL - SN74LS240NS	55-137
1407 1747	TTLIC - SN74LS273NS	61-111
1407 1878	IC - TC4053BF	55-138
1407 2135	TTLIC - 74F74SJ	55-139
1407 2187	TTLIC - SN74LS07NS	55-140
1407 2249	TTL - SN74LS174NS	55-141
1407 2463	TTL - IC - SN74ALS08NS	55-142
1407 2976	TTLIC - SN74LS245NS	61-112
1407 3022	TTL - SN74ALS157ANS	55-143
1407 3286	IC - TC74HC04AF	55-144
1407 3292	IC - TC74HCT244AF	61-113
1407 3683	IC - TC7W04F	55-145
1407 3708	IC - SLA7026M	55-146
1407 3729	IC - TC74ACT245F	61-114
1407 3766	IC - M66240FP	55-147
1407 4322	IC - TD74ABT374F	61-115
1407 4322	IC - TD74ABT374F	55-148
1407 4324	TTL Td74abt240f	55-149
1407 4324	TTL Td74abt240f	61-116
1407 4536	IC - ICS1574	55-150
1407 4551	Cmos IC - Tc3w02f	55-151

Part No.	Description	Page and Index No.
1407 4741	Cmos - 74act1284msa	61-117
1407 4742	TTL - 74F1071MSA	61-118
1407 4771	IC - MC68334GFC16	55-152
1407 4840	IC - TC7SH04FU	55-153
1407 4929	Cmos lf - 74lcx74 Sop	55-154
1407 4963	IC - MBM29F800TA-70PFTN	61-119
1407 4997	IC - AT28C16E-15PC	61-120
1407 4999	IC - STK22C48-W45	55-155
1407 5032	IC - MBM29F400TC-70PFTN	55-156
1408 0595	IC - NJM2904M	55-157
1408 0611	IC - 3771	61-121
1408 0611	IC - 3771	55-158
1408 1295	IC - UPC2933T	55-159
1408 1350	Regulator - Pq3rf23	61-122
1503 0460	Oscillator - 32.768KHZ	55-160
1503 0834	Oscillator - 44Mhz	61-123
1503 0834	Oscillator - 44Mhz	55-161
1600 1774	Resistor - 0.68 Ω \pm 5%	55-162
1601 7724	Resistor - 680 Ω MNR14J681	55-163
1601 7725	Resistor - 560 Ω MNR14J561	55-164
1601 7801	Resistor Array - 10K Ω \pm 5% 1/16W	55-165
1601 7802	Resistor - 100K Ω \pm 5% 1/16	55-166
1601 7805	Resistor Array - 33 Ω \pm 5% 1/16W	55-167
1601 7808	Resistor - 4.7k Ω \pm 5% 1/16w	55-168
1602 7002	Capacitor - 50v 100mhom	55-169
1602 7077	Filter - Stb271kba	55-170
1604 2291	Capacitor - 22 μ F 10V	55-171
1604 2510	Capacitor - 1 μ F \pm 20% 25V	55-172
1604 4534	Capacitor - 47 μ F \pm 10% 50V	55-173
1605 0577	Capacitor - 0.33 μ F +80-20%	55-174
1605 0677	Capacitor - 0.082 μ F \pm 10% 50V	61-124
1605 0769	Capacitor - 20pF \pm 5% 50V	55-175
1605 0801	Capacitor - 0.01 μ F \pm 20%	61-125
1605 0913	Capacitor - 0.47 μ F	55-176

Part No.	Description	Page and Index No
1605 0927	Capacitor - 1000pF \pm 5% 25V	55-177
1607 0551	Inductor - Blm32a07pb	55-178
1607 0705	Noize Filter - ACF51832-470	61-126
1607 0796	Noize Filter - ACF51832-470	55-179
1607 0798	Filter - Acf451832-151	55-180
1607 0852	Filter - Blm41p750spb	55-181
1607 0953	Filter - Bk1608ll121	55-182
1607 1039	Filter - Acb1608m-080	55-183
1607 1049	Filter - Fbmh4525hm162nt	55-184
1607 1050	Filter - Acf451832-681	55-185
1607 1065	Filter - Fbmh3225hm102nt	55-186
1607 1084	Filter - Bk1608hw601	55-187
1607 1085	Filter - Bk1608lm152	55-188
1623 1002	Resistor - 10k Ω	61-127
1630 1180	Resistor - 18 Ω \pm 5% 1/4W	55-189
1630 1911	Resistor - 910 Ω \pm 5% 1/4W	55-190
1630 3102	Resistor - 1K Ω 1/10W \pm 5%	55-191
1630 3103	Resistor - 10K Ω 1/10W \pm 5%	61-128
1630 3104	Resistor - 100K Ω 1/10W \pm 5%	61-129
1630 3122	Resistor - 1.2K Ω 1/10W \pm 5%	61-130
1630 3124	Resistor - 120 Ω \pm 5% 1/10W	61-131
1630 3153	Resistor - 15K Ω \pm 5% 1/10W	55-192
1630 3203	Resistor - 20 Ω \pm 5% 1/10W	61-132
1630 3221	Resistor - 220 Ω \pm 5% 1/10W	55-193
1630 3221	Resistor - 220 Ω \pm 5% 1/10W	61-133
1630 3242	Resistor - 2.4K Ω \pm 5% 1/10W	55-194
1630 3330	Resistor - 33 Ω \pm 5% 1/10W	55-195
1630 3330	Resistor - 33 Ω \pm 5% 1/10W	61-134
1630 3363	Resistor - 36 Ω \pm 5%	55-196
1630 3470	Resistor - 47 Ω 1/10W \pm 5%	61-135
1630 3472	Resistor - 4.7K Ω 1/10W \pm 5%	55-197
1630 3473	Resistor - 47K Ω 1/10W \pm 5%	55-198
1630 3519	Resistor - 5.1 Ω \pm 5% 1/10W	61-136

Part No.	Description	Page and Index No.
1630 3752	Resistor - 7.5K Ω \pm 5% 1/10W	61-137
1630 4100	Resistor - 10 Ω \pm 5% 1/16W	55-199
1630 4102	Resistor - 1.0K Ω \pm 5% 1/16W	55-200
1630 4103	Resistor - 10K Ω \pm 5% 1/16W	55-201
1630 4104	Resistor - 100 Ω \pm 5% 1/16W	55-202
1630 4106	Resistor -10m Ω \pm 5% 1/16w	55-203
1630 4109	Resistor - 1.0 Ω \pm 5% 1/16W	55-204
1630 4121	Resistor - 120 Ω \pm 5% 1/16W	55-205
1630 4124	Resistor - 120K Ω \pm 5%1/16W	55-206
1630 4151	Resistor - 150 Ω \pm 5% 1/16w	55-207
1630 4182	Resistor - 1.8K Ω \pm 5.00% 1/16W	55-208
1630 4272	Resistor - 2.7k Ω - \pm 5% - 1/16w	55-209
1630 4330	Resistor - 33 Ω \pm 5% 1/8W	55-210
1630 4334	Resistor - 330K Ω \pm 5% 1/16W	55-211
1630 4470	Resistor - 470 Ω \pm 5% 1/16W	55-212
1630 4470	Resistor - 470 Ω \pm 5% 1/16W	61-138
1630 4472	Resistor - 4.7K Ω \pm 5% 1/16W	55-213
1630 4473	Resistor - 47k Ω - \pm 5% - 1/16w	55-214
1630 4511	Resistor - 510 Ω - \pm 5% - 1/16w	55-215
1630 4561	Resistor - 560 Ω \pm 5% 1/16W	55-216
1630 4681	Resistor - 680 Ω \pm 5% 1/16W	55-217
1630 4820	Resistor - 82 Ω \pm 5% 1/16W	55-218
1633 0000	Resistor - 0 Ω 1/10W	61-139
1633 0000	Resistor - 0 Ω 1/10W	55-219
1633 2201	Resistor - 2.2 Ω \pm 1% 1/10W	55-220
1633 3301	Resistor - 3.3K Ω \pm 1% 1/10W	55-221
1633 3900	Resistor - 390 Ω \pm 1% 1/10W	55-222
1633 5602	Resistor - 56K Ω \pm 1% 1/10W	55-223
1633 6800	Resistor - 680 Ω \pm 1% 1/10W	55-224
1634 0000	Resistor - 0 Ω - 1/16w	55-225
1634 2000	Resistor - 200 Ω \pm 1% 1/16W	55-226
1634 2201	Resistor - 2.20K Ω \pm 1% 1/16W	55-227
1634 3301	Resistor - 3.3K Ω \pm 1% 1/16W	55-228

Part No.	Description	Page and Index No
1640 2101	Capacitor - 100 μ F \pm 20% 25V	55-229
1640 5331	Capacitor - 330 μ F \pm 20% 50V	55-230
1640 5470	Capacitor - 47 μ F \pm 20% 50V	55-231
1640 5471	Capacitor - 470 μ F \pm 20% 50V	55-232
1642 0101	Capacitor - 100 μ F \pm 20% 50V	61-140
1642 2101	Capacitor - 100 Ω \pm 20% 25V	61-141
1642 2470	Capacitor - 47 μ F \pm 20% 25V	55-233
1642 2470	Capacitor - 47 μ F \pm 20% 25V	61-142
1643 1470	Capacitor - 47 μ F \pm 20% 16v	61-143
1643 2220	Capacitor - 22 μ F \pm 20% 25V	55-234
1643 2479	Aluminum Capacitor-4.7 μ F \pm 20% 25v	55-235
1660 1100	Capacitor - 10pF 50V	55-236
1660 2101	Capacitor - 100pF - \pm 10% - 50V	55-237
1660 2220	Capacitor - 22pF \pm 20% 35V	55-238
1660 2221	Capacitor - 220pF +80-20% 50V	55-239
1660 2471	Capacitor - 470pF - \pm 5% - 50V	61-144
1660 3102	Capacitor - 1000pF \pm 5% 50V	55-240
1660 3220	Capacitor - 122pF \pm 5% 50V	61-145
1660 3221	Capacitor - 220pF \pm 5% 50V	61-146
1660 3330	Capacitor - 33pF \pm 5% 50V	55-241
1660 3390	Capacitor - 39pF \pm 5% 50V	55-242
1660 3471	Capacitor - 470pF 50V	61-147
1660 3471	Capacitor - 470pF 50V	55-243
1660 3680	Capacitor - 68pF \pm 5% 50V	55-244
1660 3680	Capacitor - 68pF \pm 5% 50V	61-148
1660 3820	Capacitor - 82pF \pm 5% 50V	55-245
1660 5102	Capacitor - 1000pF \pm 10% 50V	61-149
1660 5222	Capacitor - 2200pF \pm 10% 50V	55-246
1660 7103	Capacitor - 10000pF 50V	55-247
1660 7104	Capacitor - 100000pF 50V	55-248
1660 9104	C - 0.1 μ F 25V	55-249
1660 9104	C - 0.1 μ F 25V	61-150
1901 0042	Dram 4m 256kx16 70ns G7	55-250

Part No.	Description	Page and Index No.
1903 1009 2801 0036	IC - DRAM 16M 4MX4 60NS EDO G2 Cable, AC Power (230V)	61-151 37-102

Part No.	Description	Page and Index No